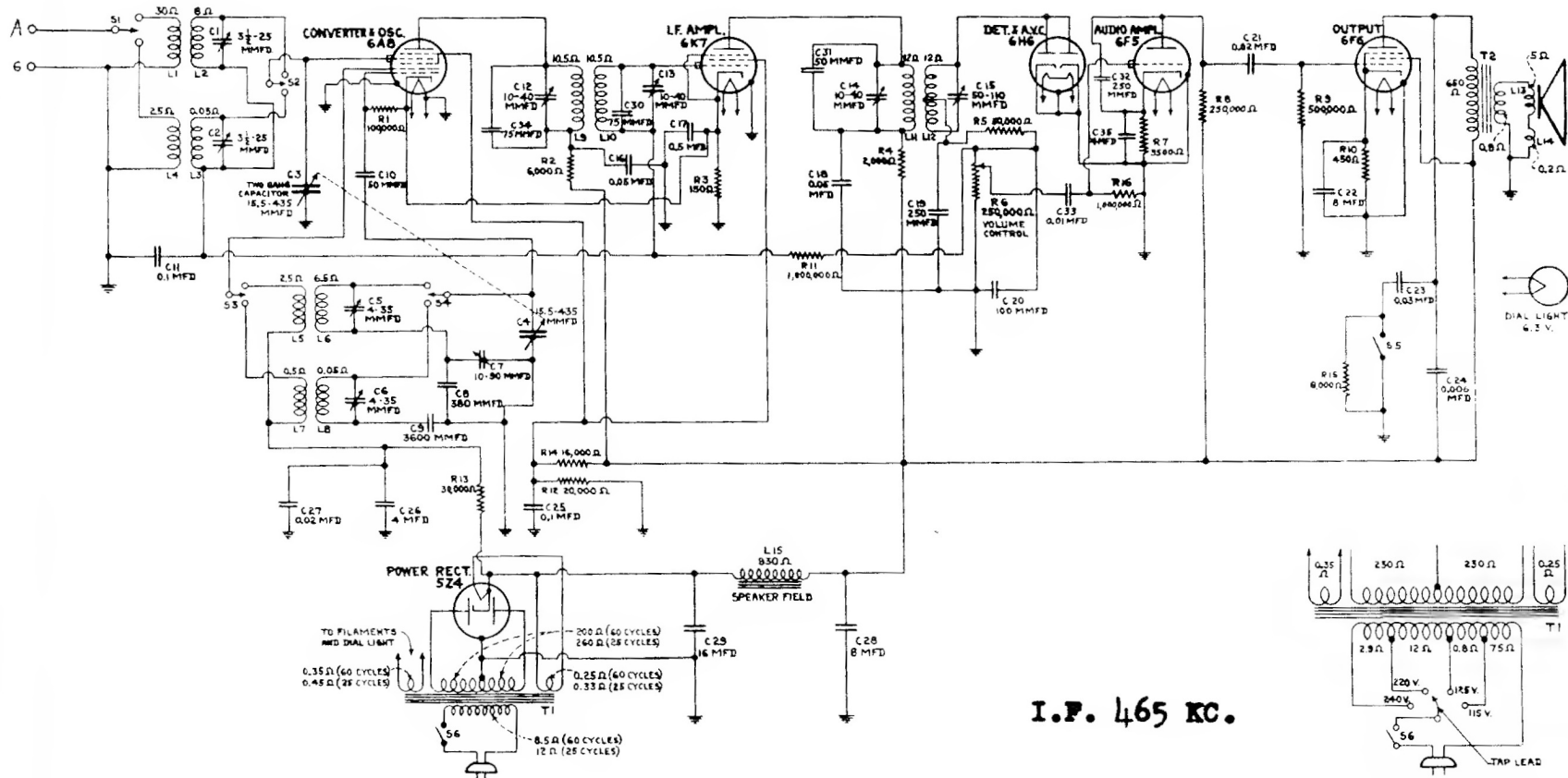


Models A-63 and A-65 General Electric Co.



I.F. 465 KC.

