

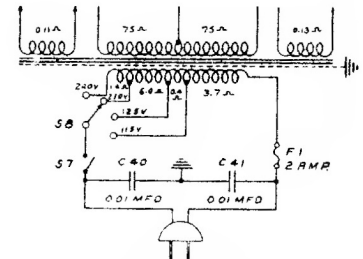
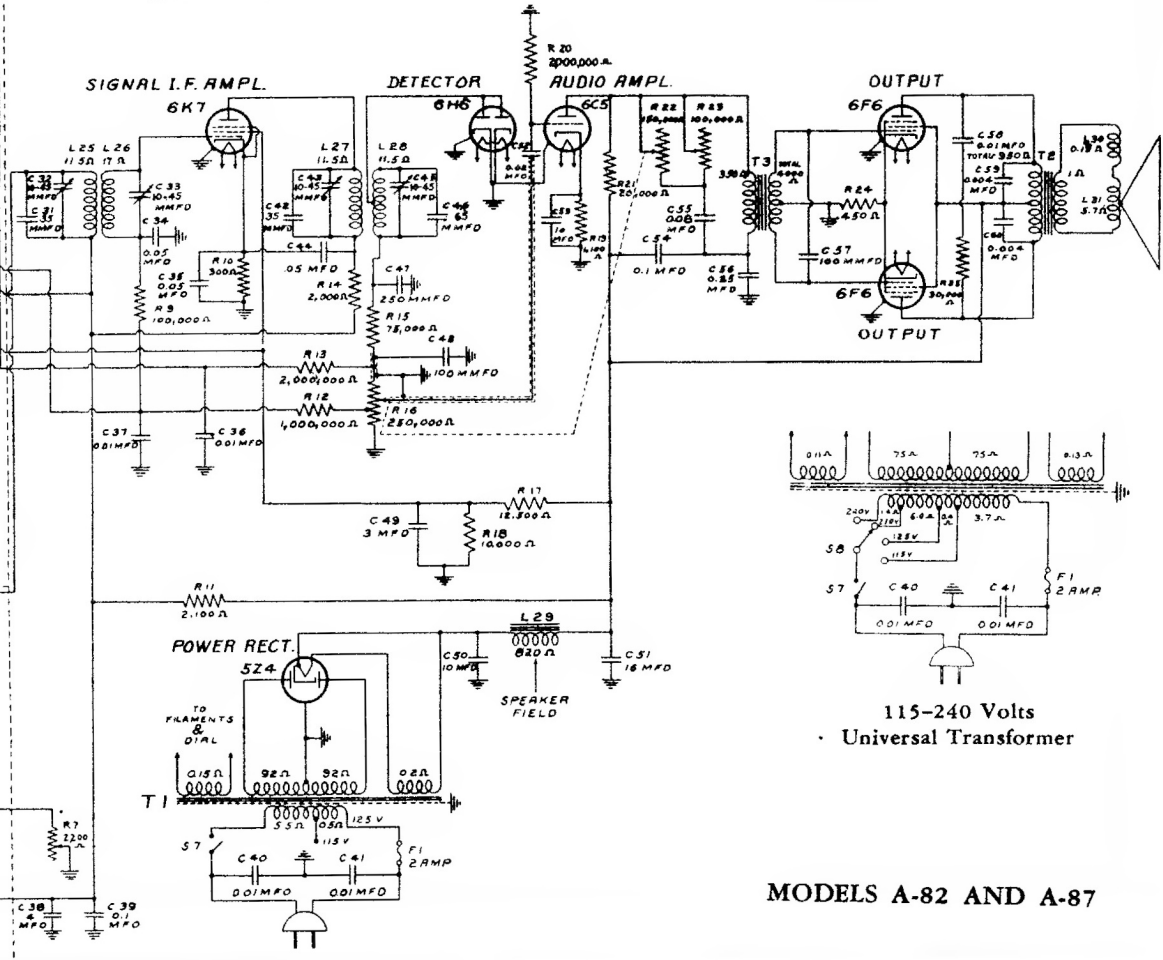
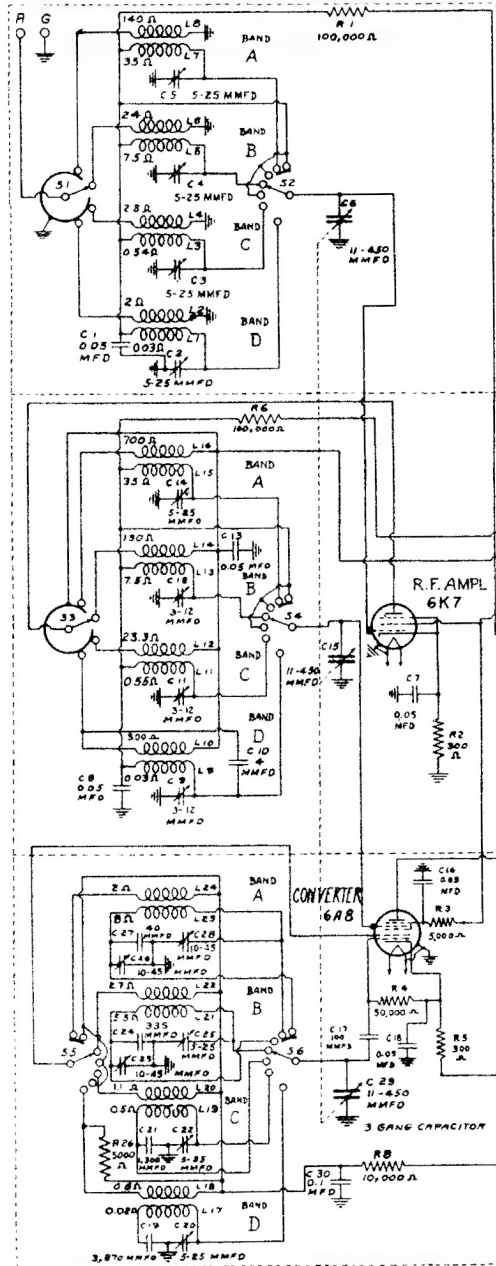
Tubes

- R. F. Amplifier.... 6K7 Triple-grid Super-control Amplifier
- Converter and Oscillator..... 6A8 Pentagrid Converter
- I. F. Amplifier..... 6K7 Triple-grid Super-control Amplifier
- Detector and AVC... 6H6 Twin Diode
- Audio Amplifier.... 6C5 Detector Amplifier Triode
- Output..... Two 6F6 Power Amplifier Pentodes (Push-pull)
- Power Rectifier.... 5Z4 Full-wave Rectifier
- Dial Lamps..... MAZDA No. 46

Tuning Frequency Range

- Band "A" 140-410 kc
- Band "B" 540-1750 kc
- Band "C" 1.75-6.0 mc (1750-6000 kc)
- Band "D" 6.0-19.5 mc (6000-19,500 kc)

I. F. 465 KC.



115-240 Volts
Universal Transformer

MODELS A-82 AND A-87