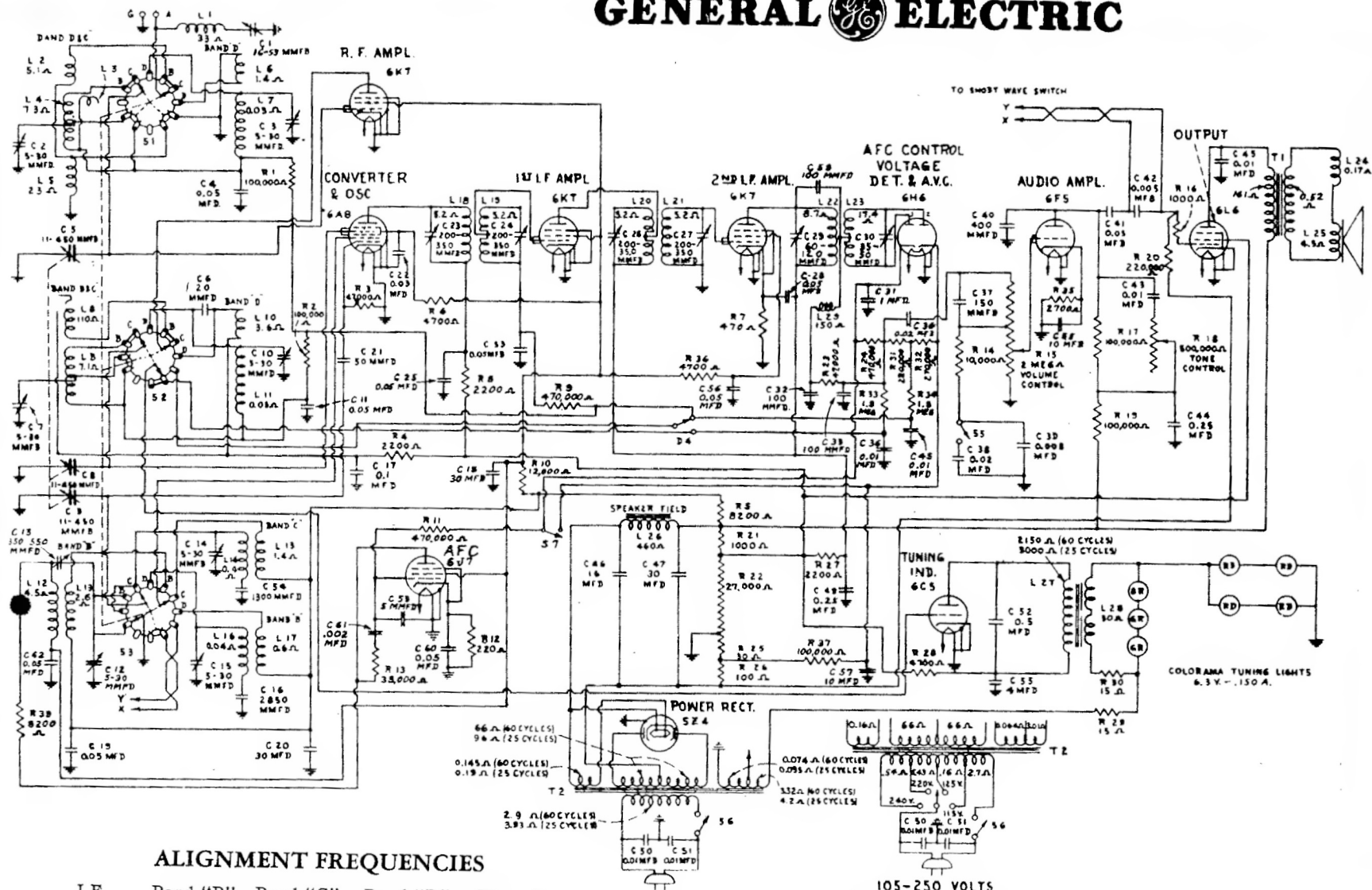


# GENERAL ELECTRIC



## ALIGNMENT FREQUENCIES

I.F.	Band "B"	Band "C"	Band "D"	Wave Trap
465 kc.	580 kc.	5220 kc.	18,000 kc.	465 kc.
	1500 kc.			

105-250 VOLTS  
UNIVERSAL TRANSFORMER

Radio Receivers, Models E-101, E-105 and E-106