

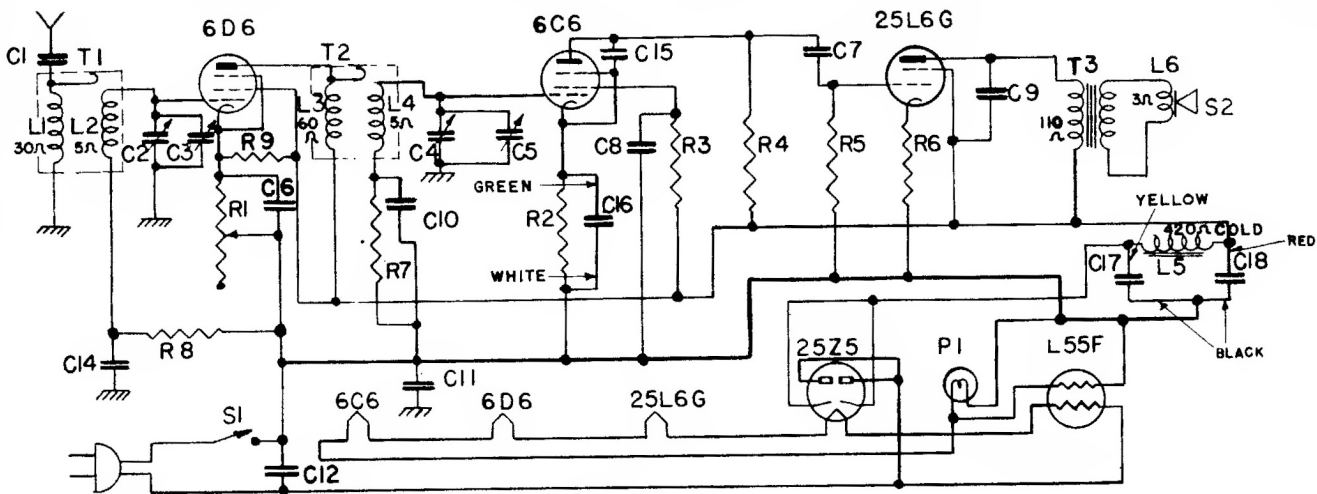
# General Electric MODELS GD-41 AND GD-41-U

## Electrical Power Output

Undistorted..... 1.0 watt  
Maximum..... 2.0 watts

## Load-speaker—Electrodynamic

Outside Cone Diameter..... 5 inches  
Voice Coil Impedance..... 3.5 ohms at 400 cycles  
Field Coil Resistance..... 420 ohms (cold)



Symbol	Description	Symbol	Description	Symbol	Description
C-1	Capacitor—.01 Mfd. (GD-41)	C-11	Capacitor—Paper .1 Mfd.	R-5	Resistor—1 Megohm
C-1	Capacitor—Paper .001 Mfd. (GD-41-U)	C-12	Capacitor—Paper .05 Mfd.	R-6	Resistor—150 Ohms
C-2	Capacitor—Variable	C-14	Capacitor—Paper .01 Mfd.	R-7	Resistor— $\frac{1}{2}$ Megohm
C-3	Capacitor—Trimmer on gang	C-15	Capacitor—Mica 100 Mmf.	R-8	Resistor— $\frac{1}{2}$ Megohm
C-4	Capacitor—Variable	C-16	Capacitor—Elect. 5 Mfd. 25 V.	T-1	Antenna Transformer
C-5	Capacitor—Trimmer on gang	C-17	Capacitor—Elect. 16 Mfd. 150 V.	T-2	R.F. Transformer
C-6	Capacitor—Paper .05 Mfd.	C-18	Capacitor—Elect. 10 Mfd. 150 V.	T-3	Output Transformer (on speaker)
C-7	Capacitor—Paper .01 Mfd.	R-1	Resistor—25,000 Ohms Volume Control	R-9	Resistor—50,000 Ohms
C-8	Capacitor—Paper .01 Mfd.	R-2	Resistor—35,000 Ohms	S-1	Power Switch (Comb. with R-1)
C-9	Capacitor—Paper .02 Mfd.	R-3	Resistor—3 Megohms	S-2	Loud-speaker—5-inch
C-10	Capacitor—Paper .01 Mfd.	R-4	Resistor—1 Megohm		

Note—The schematic shown is for the Model GD-41-U. Model GD-41-A omits items C-10, C-11, C-14, R-7, R-8, R-9; also X-X bus is grounded to chassis, coils L-2 and L-4 return to chassis, C-15 to chassis ground instead of to 6C6 cathode, low end of volume control is connected between C-1 and L-1.

Tube No.	Plate to -B Volts D.C.		Screen to -B Volts D.C.		Cathode to -B Volts D.C.		Cathode Current M.A. D-C		Heater Volts	
	AC	DC	AC	DC	AC	DC	AC	DC	AC	DC
6D6	113	90	113	90	9.0	7.4	0.7	0.6	6.35	6.06
6C6	20 *	16.4 *	45	37	3.1	2.5	0.1	0.08	6.35	6.06
25L6G	108	88	113	90	7.6	6.2	40.5	33.1	25.0	23.5
25Z5	.....	.....			133	108	43.0	35.0	26.0	24.0

Line voltage 115 AC or DC—No signal input—1000 ohms per volt meter.  
Dial pointer at 540 kc. Volume control at minimum.

\* Measured on 250 volt scale.

### ALIGNMENT

Connect the high side of the signal generator through a 250 mmf. condenser to the antenna lead. The low side of the signal generator output should be connected to the receiver chassis through a .05 mfd. condenser. Connect a suitable output meter across the voice coil leads; then proceed as follows:

1. With gang condenser plates completely closed, the dial pointer should coincide with the horizontal dial line.
2. Tune receiver to the 1500 kc. point on the dial; then align trimmers (C-3 and C-5) on the gang condenser at 1500 kc. for a maximum output meter reading.

Precaution—One side of the power supply is connected to the chassis—Do not connect chassis to any external ground.