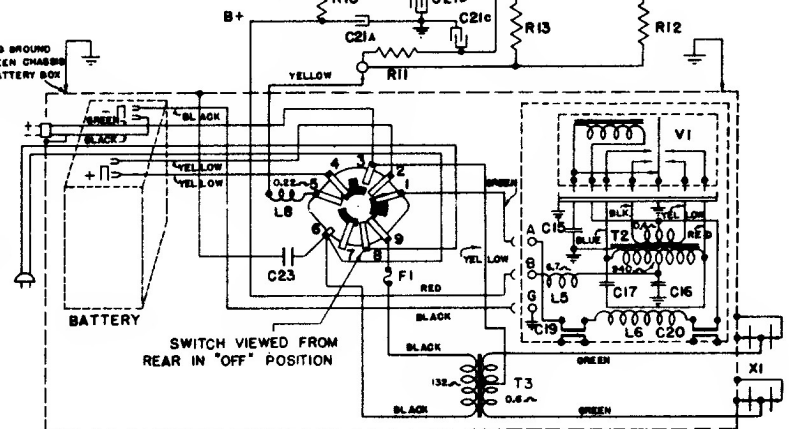


SPRING GROUND BETWEEN CHASSIS AND BATTERY BOX

POWER SELECTOR SWITCH OPERATION

POSITION	CONTACTS CONNECTED
"OFF"	ALL CONTACTS OPEN
"BATTERY"	#1 to #2; #4 to #5; #7* to #8
"AC"	#1 to #2 to #3; #4 to #5; #8 to #9
"CHARGE"	#2 to #3; #8 to #9

* #7 terminal is not connected to circuit

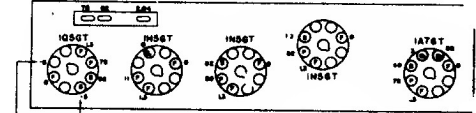


I.F. 455 KC.

Stock No.	Symbol	Description	List Price	Stock No.	Symbol	Description	List Price
RC-7054	C-1, 2	CONDENSER—Tuning condenser and trimmers	\$1.55	*RQ-1331	R-8	RESISTOR—1.0 megohm, 1/4 W. carbon	\$0.70—5
*RC-216	C-7	CAPACITOR—47 mmf. mica	.25	*RQ-1339	R-9	RESISTOR—2.2 megohm, 1/4 W. carbon	.70—5
*RC-235	C-8, 9	CAPACITOR—100 mmf. mica	.25	*RQ-1259	R-10	RESISTOR—1,000 ohm, 1/4 W. carbon	.70—5
*RC-072	C-10	CAPACITOR—.05 Mfd., 200 V. paper	.25	RQ-1208	R-11, 12, 13	RESISTOR—8.2 ohm, 1/4 W. carbon	.70—5
*RC-096	C-11	CAPACITOR—.01 Mfd., 200 V. paper	.30	RC-2036	B-1	CELL—3.0 V. bias cell assembly	.55
*RC-023	C-12, 13	CAPACITOR—.005 Mfd., 600 V. paper	.25	RL-368	L-1	BEAM-A-SCOPE—Loop antenna assembly (inside cover)	.90
*RC-039	C-14	CAPACITOR—.01 Mfd., 600 V. paper	.25	RL-2055	L-2	COIL—Oscillator coil	.30
*RC-096	C-15	CAPACITOR—.01 Mfd., 200 V. paper	.30	RL-367	L-5	CHOKE—B choke	.20
*RC-072	C-16	CAPACITOR—.05 Mfd., 200 V. paper	.25	RL-366	L-6	CHOKE—Vibrator choke	.55
*RC-027	C-17	CAPACITOR—.006 Mfd., 100 V. paper	.30	RL-367	L-7	BEAM-A-SCOPE—External loop antenna	.45
*RC-235	C-18	CAPACITOR—100 mmf. mica	.25	RL-365	L-8	CHOKE—Filament supply choke	.20
*RC-156A	C-19, 20	CAPACITOR—.05 Mfd., 120 V. paper	.45	RS-3115	SW1	SWITCH—Power selector switch	.70
	C-21A, 21B	CAPACITOR—15 Mfd., 150 V. dry electrolytic	.75	RT-4010	T-1	TRANSFORMER—Output transformer	.90
RC-5189	C-21C	CAPACITOR—1,200 Mfd., 2 V. dry electrolytic	.75	RT-0525	T-2	VIBRATOR—Vibrator power transformer	1.80
*RC-156A	C-22	CAPACITOR—.05 Mfd., 120 V. paper	.45	RT-0524	T-3	TRANSFORMER—30-60 cycle rectifier step-down transformer	1.20
*RC-092	C-23	CAPACITOR—.05 Mfd., 600 V. paper	.30	RT-0327	T-3	TRANSFORMER—25 cycle rectifier step-down transformer	
RV-125	R-1	VOLUME CONTROL—.5 megohm volume control	.95	RT-393	T-4	TRANSFORMER—1st I.F. transformer	.90
*RQ-1315	R-2	RESISTOR—220,000 ohm, 1/4 W. carbon	.70—5	RT-392	T-5	TRANSFORMER—2nd I.F. transformer	.90
*RQ-1299	R-3	RESISTOR—47,000 ohm, 1/4 W. carbon	.70—5	RV-204	V-1	VIBRATOR—Power supply synchronous vibrator	3.60
*RQ-1339	R-4	RESISTOR—2.2 megohm, 1/4 W. carbon	.70—5	RR-802	X-1	RECTIFIER—Copper oxide rectifier	4.6
*RQ-1293	R-5	RESISTOR—27,000 ohm, 1/4 W. carbon	.70—5	RS-1066	Spkr	SPEAKER—1" M speaker	4.6
*RQ-1299	R-6	RESISTOR—47,000 ohm, 1/4 W. carbon	.70—5				
*RQ-1347	R-7	RESISTOR—4.7 megohm, 1/4 W. carbon	.70—5				

All power necessary for the operation of the receiver is supplied by the 2-volt built-in rechargeable battery. The tube filaments are heated directly by the two volts from the battery while the necessary high voltage for the screen and plates of the tubes is furnished by a synchronous vibrator used in conjunction with a step-up power transformer and its associated filter circuit. The synchronous vibrator operates on the two volts from the battery.

Provision has been made to charge the battery directly from the house current without removing the battery from the receiver circuit. Two charging positions are provided on the four-position power selector switch. The "Charge" position of this switch allows the battery to be charged at the rate of approximately 1.35 amperes from the house current during the period that the receiver is not being operated. The "AC" position of the switch allows the receiver to be operated at the same time that the battery is being charged. Under this condition, however, it takes a considerably longer period for a partially discharged battery to be fully restored due to the fact that current is taken from the battery to operate the receiver.



ONE BATTERY—MEASURED WITH 200 OHM BATTERY VOLTMETER
POWER SWITCH ON "AC" WITH CHARGING OPERATOR.
BATTERY VOLTAGE = 2.1
VOLTAGE "AC" VOLTAGE = 82
RAT. AT 100% H. 1,000 OHMS, 1,000 VOLTS
ALL DIMENSIONS IN INCHES UNLESS OTHERWISE SPECIFIED
WITH 600 OHM PER VOLT VOLTMETER, 100 VOLT SCALE.

GENERAL ELECTRIC
MODEL LB-530