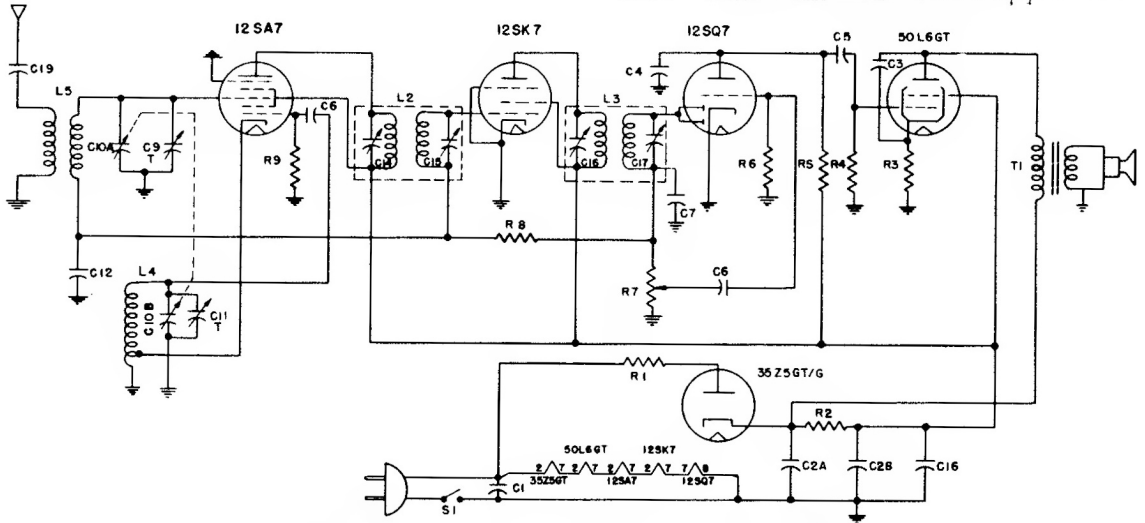
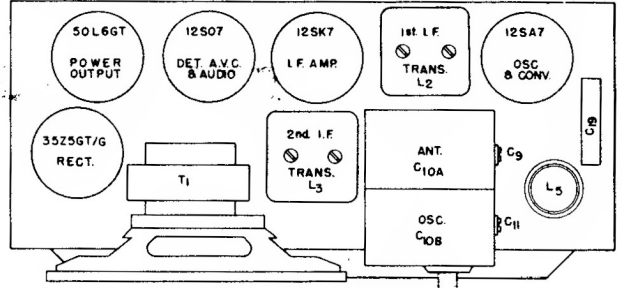


GENERAL ELECTRIC

RADIO SERVICE DATA FOR MODELS YRB 60-1 AND YRB 60-2



Symbol	Description	Symbol	Description	Symbol	Description
C1	.05 mfd paper capacitor	C10A	Variable condenser, ant. section	R1	18 ohm 1/2 watt carbon resistor
C2A	40 mfd 150 volt electrolytic capacitor	C10B	Variable condenser, osc. section	R2	1500 ohm 2 watt carbon resistor
C2B	40 mfd 150 volt electrolytic capacitor	C11	Oscillator trimmer	R3	150 ohm 1/2 watt carbon resistor
C3	.02 mfd paper capacitor	C12	.05 mfd paper capacitor	R4	470,000 ohm 1/4 watt carbon resistor
C4	330 mmfd mica capacitor	C18	.05 mfd paper capacitor	R5	220,000 ohm 1/4 watt carbon resistor
C5	.01 mfd paper capacitor	C19	.005 mfd paper capacitor	R6	10 megohm 1/4 watt carbon resistor
C6	.005 mfd paper capacitor	L2	1st I.F. transformer	R7	Volume control, 0.5 megohm
C7	330 mmfd mica capacitor	L3	2nd I.F. transformer	R8	2.2 megohm 1/4 watt carbon resistor
C8	47 mmfd mica capacitor	L4	Oscillator coil	R9	22,000 ohm 1/4 watt carbon resistor
C9	Antenna trimmer	L5	Antenna coil	T1	Output transformer

ALIGNMENT PROCEDURE

ALIGNMENT FREQUENCIES

I.F. 455 kc
 R.F. 1725 and 1500 kc
 The location of all trimmers is shown in Fig. 1.

I.F. ALIGNMENT

Connect an output meter across the voice coil. Turn the volume control to maximum. Set test oscillator to 455 kc

and keep the oscillator output as low as a readable meter reading will permit. Apply signal to the converter grid through a .05 mfd capacitor and align progressively the trimmers in the 2nd and 1st I.F. transformer cans.

R.F. ALIGNMENT

Apply the R.F. alignment signals through a standard I.R.E. dummy antenna to the receiver antenna post. With the gang condenser wide open, align the oscillator trimmer (C11) to 1725 kc. Change the generator signal to 1500 kc, tune the receiver to the signal and peak antenna trimmer (C9) for maximum output.

