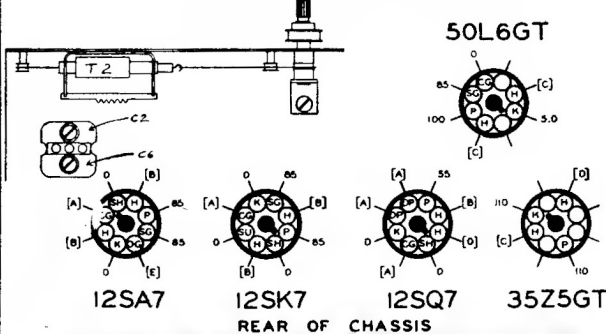


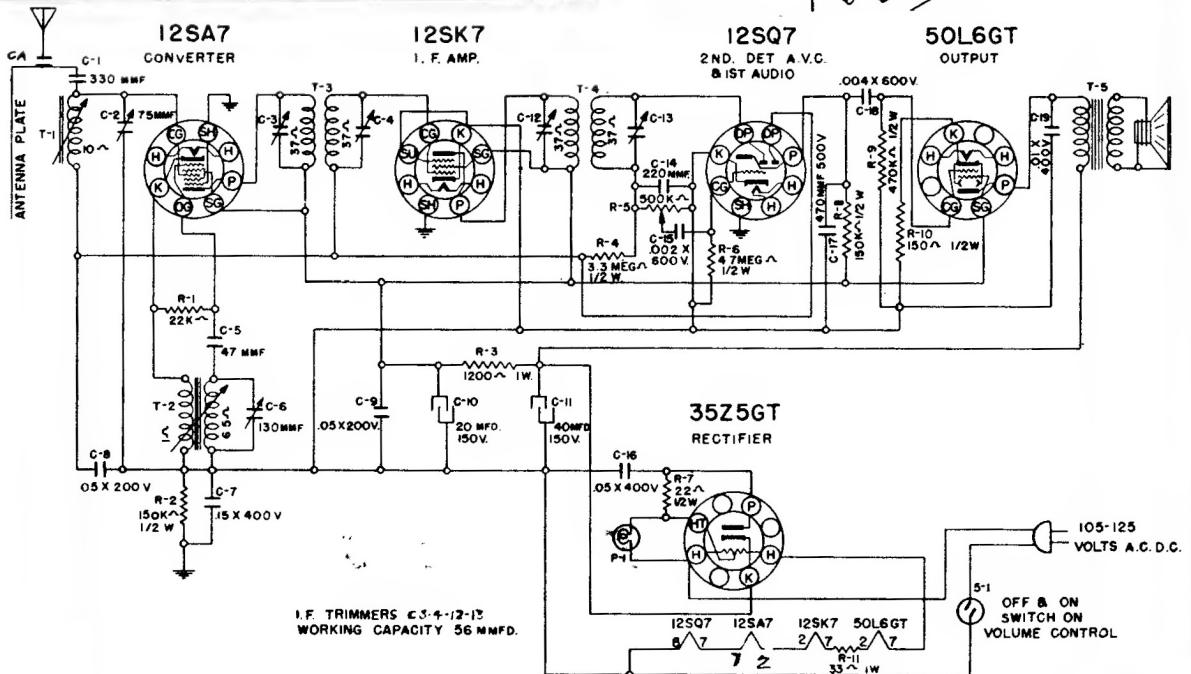
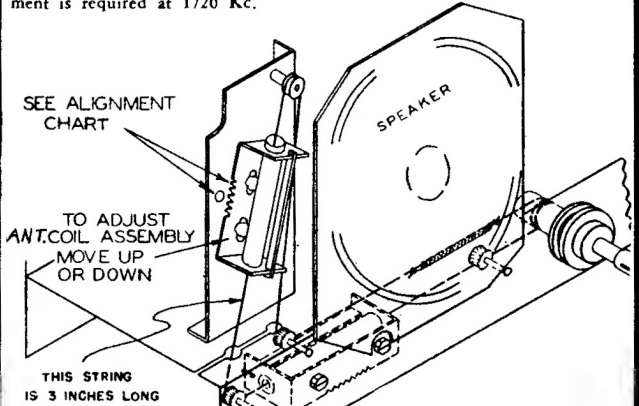
SIGNAL GENERATOR				TUNER SETTING	ADJUST TRIMMERS MAXIMUM OUTPUT (in order shown)
Frequency	Dummy Antenna	Connection to Radio	Ground Connection		
455 kc	.1 mf	Metal antenna plate	12SQ7 Pin 3	Iron cores all the way out	Trimmers on output and input I.F. cans
1720 kc	.1 mf	Metal antenna plate	12SQ7 Pin 3	Iron cores all the way out	Oscillator trimmer C6
1720 kc	200 mmf	External antenna clip	12SQ7 Pin 3	Iron cores all the way out	Antenna trimmer C2
1400 kc	200 mmf	External antenna clip	12SQ7 Pin 3	Turn dial to 1400 kc	Adjust position of ant. coil (see coil assembly view)
1720 kc	200 mmf	External antenna clip	12SQ7 Pin 3	Turn dial to 1720 kc	Antenna trimmer C2

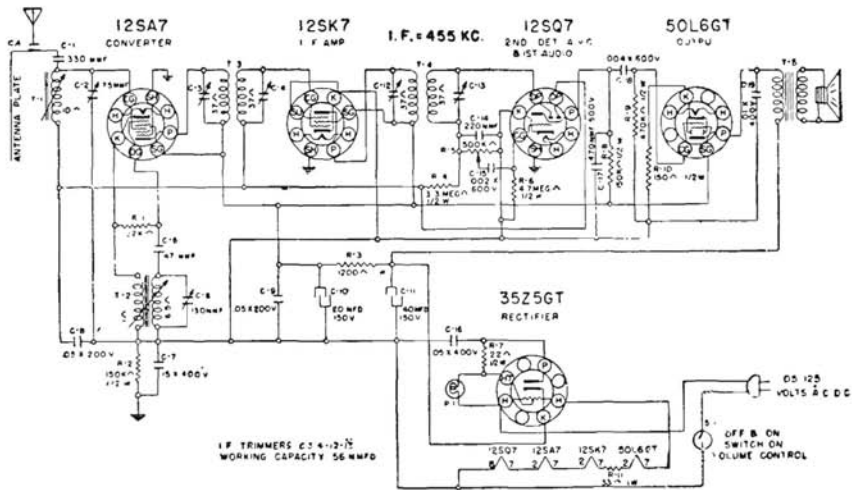
VOLTAGES MEASURED WITH 1000 OHM PER VOLT VOLTMETER BETWEEN SOCKET TERMINALS A & B—



- [A] - CANNOT BE READ WITH VOLTMETER.
  - [B] - 17 V.A.C. BETWEEN PINS D & D.
  - [C] - 12 V.V.C. BETWEEN PINS H & H.
  - [D] - 5 V.VOLTS OSCILLATOR GRID VOLTAGE SHOULD BE MEASURED WITH AN RF CHOKE PLACED IN SERIES WITH THE VOLTMETER LEAD DIRECTLY AT PIN OG.
  - [E] - 32 V.A.C. BETWEEN PINS H & H.
- A.C. LINE VOLTAGE 117 VOLTS POWER CONSUMPTION 30 WATTS.

After the antenna coil has been tracked at 1400 Kc. it is necessary to check the antenna trimmer (C2) adjustment again at 1720 Kc. If no appreciable change in trimmer adjustment is made the coil is in track, if the trimmer requires considerable change it will be necessary to again adjust the position of the antenna coil at 1400 Kc. These two adjustments should be tried several times until no change of trimmer adjustment is required at 1720 Kc.





## GRANTILINE MODD. 500-501

Piccola supereterodina CA/CC a induttore variabile, con piastra metallica interna per antenna.