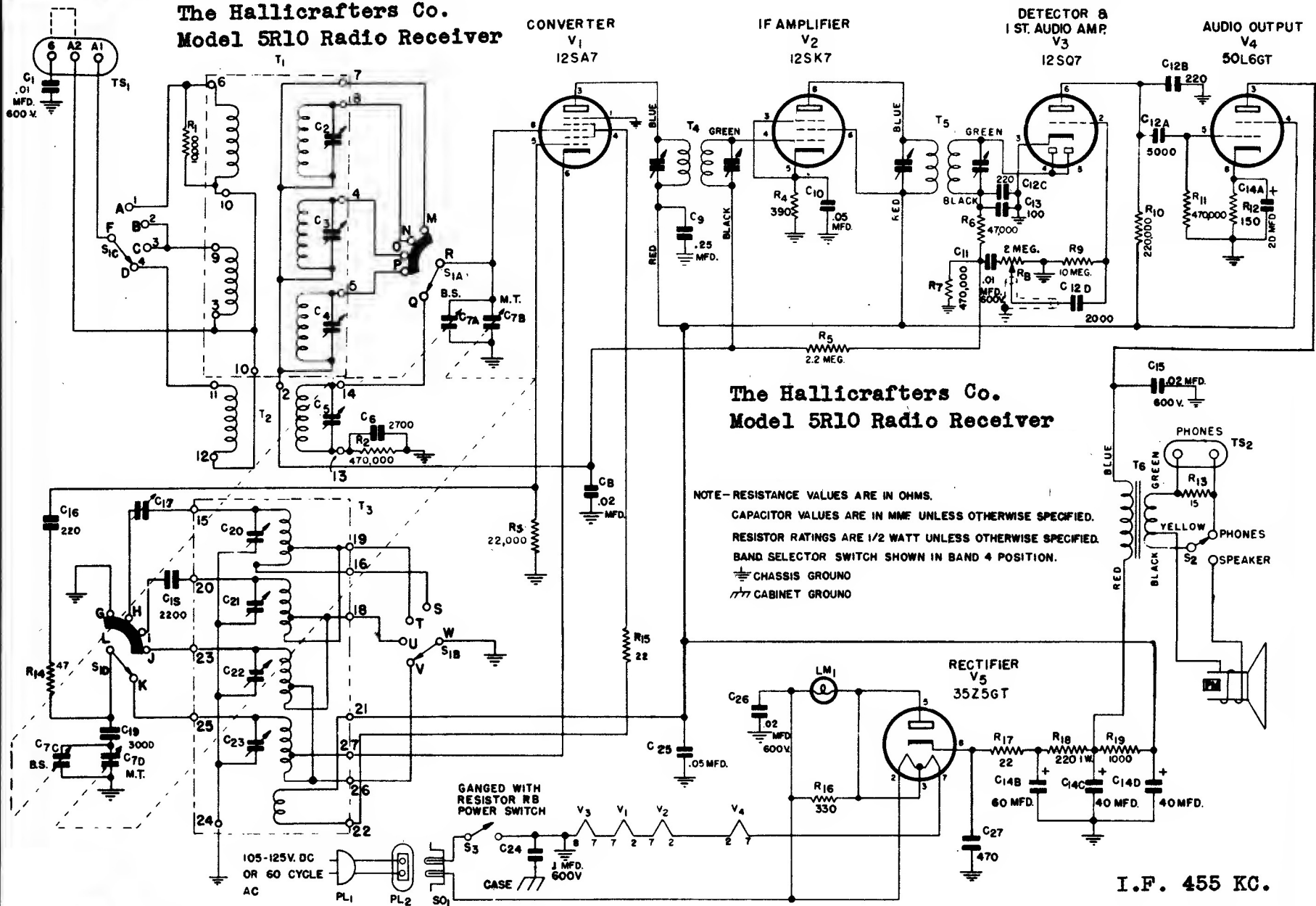
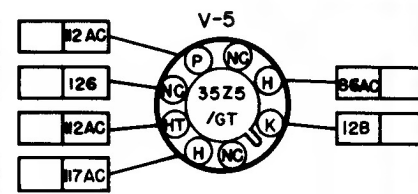
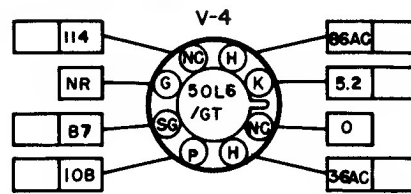
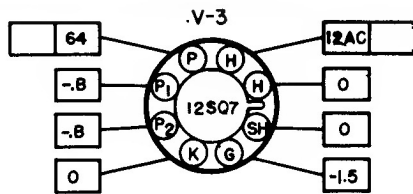
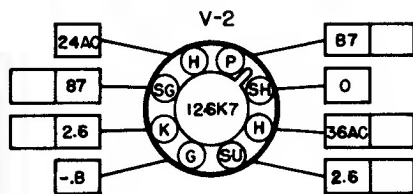
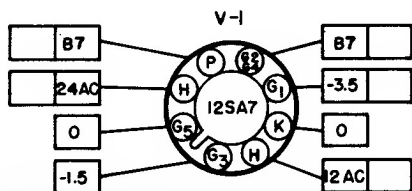


The Hallicrafters Co.
Model 5R10 Radio Receiver





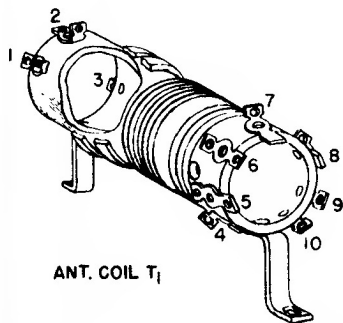
the hallicrafters co.



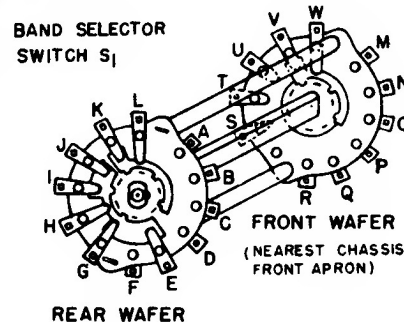
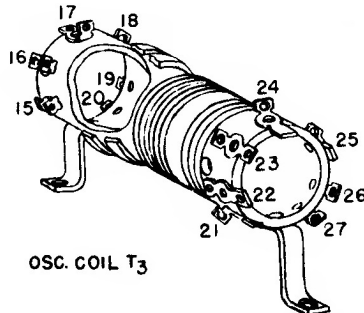
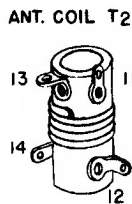
1. SOCKET VIEWS ARE BOTTOM VIEWS.
2. ALL VOLTAGES ARE MEASURED BETWEEN TUBE SOCKET TERMINALS & CHASSIS, WITH ZERO SIGNAL INPUT.
3. LINE VOLTAGE—117 V. AC. AC VOLTAGES WILL BE DC VOLTAGES WHEN OPERATING FROM A DC SOURCE.
4. ALL VOLTAGES SHOWN ARE DC UNLESS OTHERWISE SPECIFIED.
5. DC VOLTAGES SHOWN WERE MEASURED WITH A VACUUM TUBE VOLT METER.
6. "NC" NO CONNECTION. (VOLTAGES SHOWN FOR THIS TERMINAL ONLY WHEN TERMINALS ARE USED AS A TIE LUG.)
7. "NR" NOT REAOABLE. (READING GENERALLY MEANINGLESS)
8. SPACE PROVIDED FOR SERVICE METER REAOINGS.
9. BAND SELECTOR SWITCH AT BAND "4" POSITION.

FRONT APRON

BOTTOM VIEW OF CHASSIS



I.F. 455 KC.



NOTE: DIMENSIONS & PROPORTIONS SHOWN IN PICTORIAL VIEWS HAVE BEEN EXAGGERATED FOR CLARITY OF TERMINAL LUG LOCATION.

Band	Frequency Range
1	540 KC to 1650 KC
2	1.65 MC to 5.1 MC
3	5 MC to 14.5 MC
4	13 MC to 31 MC

The Hallicrafters Co.
Model 5R10