

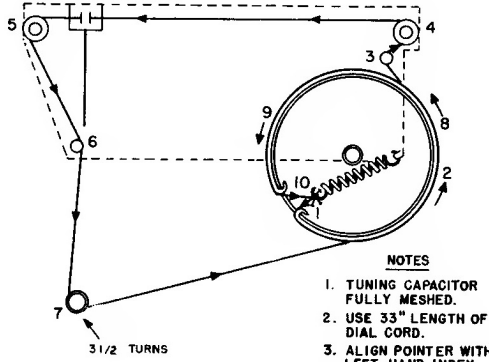
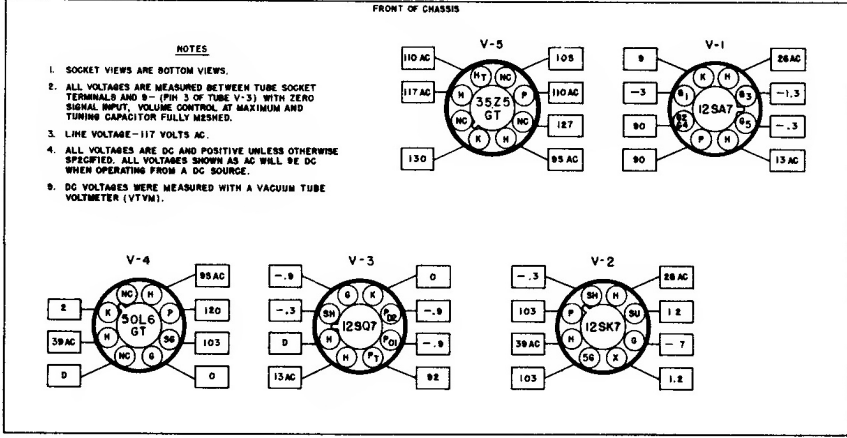
DOT
IF TRANS
T₁ (#508524) B
T₂ (#508525)

- NOTES**
1. RESISTANCE INDICATED IN OHMS AND CAPACITANCE IN MMF UNLESS OTHERWISE SPECIFIED.
 2. RESISTORS HAVE 1/2 WATT RATING UNLESS OTHERWISE SPECIFIED
 3. INTERMEDIATE FREQUENCY = 455 KC
 4. SW-BC SWITCH SHOWN IN BC POSITION (CLOCKWISE)
 5. CHASSIS
 6. B- (COMMON GROUND)
- LAST RESISTOR SYMBOL- R17
LAST CAPACITOR SYMBOL- C20

Intermediate Frequency 455 KC

MODELS 5R30A, 5R31A, 5R32A,
5R33A and 5R34A
RUN 2

the hallicrafters co.



Dial Cord Stringing Diagram

- NOTES**
1. TUNING CAPACITOR FULLY MESHD.
 2. USE 33" LENGTH OF DIAL CORD.
 3. ALIGN POINTER WITH LEFT HAND INDEX MARKS ON DIAL.