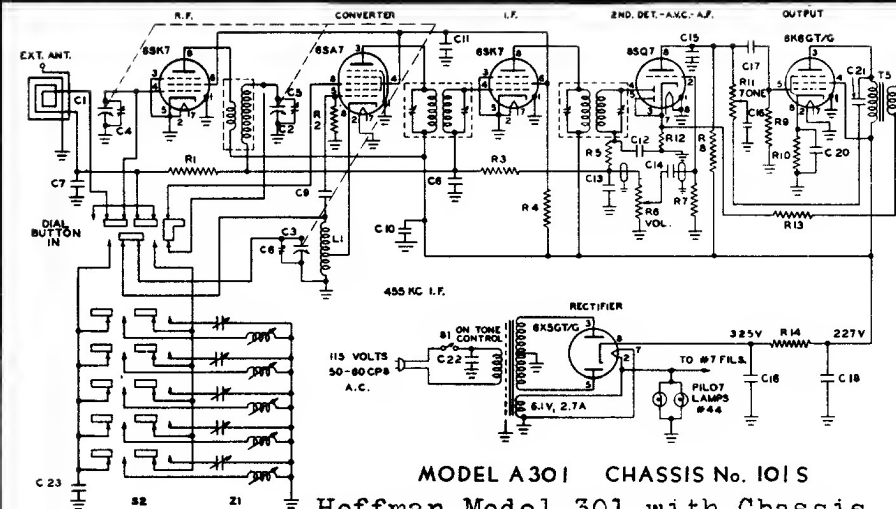


C7, C8	.05 Mfd, 200 Volt, Tubular Paper	4100
C9, C12, C13, C15	100 Mmf. ±20%, Mica	4000
C10, C11, C23	.05 Mfd, 400 Volt, Tubular Paper	4101
C14, C18	.005 Mfd, 600 Volt, Tubular Paper	4102
C17	.01 Mfd, 600 Volt, Tubular Paper	4103
C18-C19-C20	Dry Electrolytic Capacitors: (20-20-20 Mfd 450-450-25 Volt)	4200
C21	.001 Mfd, 600 Volt, Tubular Paper	4104
C22	.01 Mfd, 600 Volt, Tubular Paper (Metal Can)	4105
L1	Oscillator Coil	5200
L5	Loudspeaker, 4" x 6" (1500-Ohm Field)	9000
B1, R8	22 Megohm ±20%, ½ Watt	4500
R2	22,000 Ohm ±20%, ½ Watt	4501
R3	2.2 Megohm ±20%, ½ Watt	4502
R4	10,000 Ohm ±10%, 2 Watt	4503
R5	47,000 Ohm ±20%, ½ Watt	4504
R6	5 Megohm Potentiometer (Volume)	4804
B7	10 Megohm ±20%, ½ Watt	4505
B8	47 Megohm ±20%, ½ Watt	4506
R10	560 Ohm ±10%, ½ Watt	4507
R11	25 Megohm Potentiometer With Switch (Tone)	4805
R12	47 Ohm ±20%, ½ Watt	4508
R13	330 Ohm ±20%, ½ Watt	4509

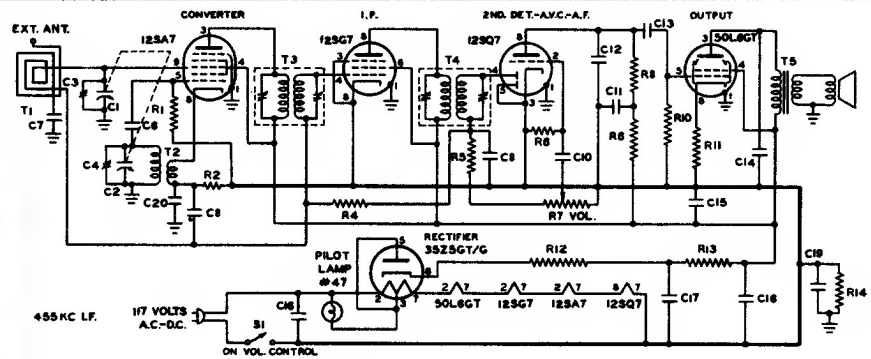


**Hoffman**  
RADIO CORP.  
LOS ANGELES, CALIFORNIA

SYMBOL	DESCRIPTION	HOFFMAN NO.
C1-C2-C3	Three-Section Variable (388-388-180 Mmf.)	4401
C4, C5, C6	Trimmers: Part of Variable Condenser	4000
C7, C8	.05 Mfd, 200 Volt, Tubular Paper	4102
C9, C12, C13, C15	100 Mmf. ±20%, Mica	4000
C10-C11	.05 Mfd, 400 Volt, Tubular Paper	4101
C14, C16	.005 Mfd, 600 Volt, Tubular Paper	4102
C17	.01 Mfd, 600 Volt, Tubular Paper	4103
C18-C19-C20	Dry Electrolytic Capacitor (20-20-20 Mfd 450-450-25 Volt)	4200
C21	.001 Mfd, 600 Volt, Tubular Paper	4104
C22	.01 Mfd, 600 Volt, Tubular Paper (Metal Can)	4105
L1	Oscillator Coil	5200
L5	Loudspeaker, 5" P.M.	9000
R1, R8	22 Megohm ±20%, ½ Watt	4500
R2	22,000 Ohm ±20%, ½ Watt	4501
R3	2.2 Megohm ±20%, ½ Watt	4502
R4	10,000 Ohm ±10%, 2 Watt	4503
R5	47,000 Ohm ±20%, ½ Watt	4504
R6	5 Megohm Potentiometer (Volume)	4804
R7	10 Megohm ±20%, ½ Watt	4505
R9	47 Megohm ±20%, ½ Watt	4506
R10	560 Ohm ±10%, ½ Watt	4507
R11	25 Megohm Potentiometer With Switch (Tone)	4805
R12	47 Ohm ±20%, ½ Watt	4508
R13	330 Ohm ±20%, ½ Watt	4509
R14	1500 Ohm ±5%, 6 ½ Watt	4510

**MODEL A 301 CHASSIS No. 101S**  
Hoffman Model 301 with Chassis 101S is electrically identical to Chassis 100, except for the speaker used and the use of a 1500 ohm resistor instead of the 1500 ohm speaker field winding.

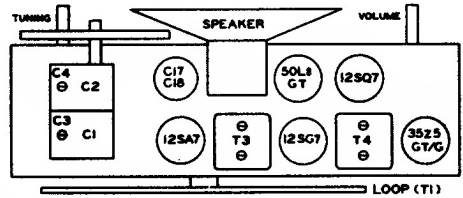
**Hoffman**  
RADIO CORP.  
LOS ANGELES, CALIFORNIA



SYMBOL	DESCRIPTION	HOFFMAN NO.
C1-C2	Two-Section Variable (388-180 Mmf.)	4401
C3, C4	Trimmers: Part of Variable Cond.	4000
C6	100 Mmf. ±20%, Mica	4000
C7, C10, C13	.005 Mfd, 600 Volt, Tubular Paper	4102
C8, C11, C15	.05 Mfd, 200 Volt, Tubular Paper	4101
C9, C12	270 Mmf. ±20%, Mica	4000
C14	.02 Mfd, 400 Volt, Tubular Paper	4106
C17-C18	.01 Mfd, 600 Volt, Tubular Paper	4103
C19-C20	Dry Electrolytic (30-50 Mfd/150V)	4201
C17, C18	.1 Mfd, 200 Volt, Tubular Paper	4111
L5	5" PM Loudspeaker	9008
R1	22,000 Ohm ±20%, ½ Watt	4501
R2	68 Ohm ±20%, ½ Watt	4524
R4	2.2 Megohm ±20%, ½ Watt	4502
R5	47,000 Ohm ±20%, ½ Watt	4504
R6	10 Megohm ±20%, ½ Watt	4505
R7	5 Megohm Pot. with Switch (Volume)	4802
R8	1 Megohm ±20%, ½ Watt	4511
R9	22 Megohm ±20%, ½ Watt	4500
R10, R14	47 Megohm ±20%, ½ Watt	4506
R11	150 Ohm ±20%, ½ Watt	4510
R12	47 Ohm ±20%, ½ Watt	4508
R13	500 Ohm ±10%, 5 Watt, W.W.	4700
S1	On-Off Switch (On Volume Control)	
T1	Antenna Loop	5207
T2	Oscillator Coil	5208
T3	Input I.F. Transformer (455 K.C.)	5205
T4	Output I.F. Transformer (455 K.C.)	5206
T5	Audio Output Transformer	5101

**MODEL A 200**  
CHASSIS NO. 103

**MODEL A 302**  
CHASSIS NO. 103



**Hoffman**  
RADIO CORP.  
LOS ANGELES, CALIFORNIA