

Hoffman

RADIO CORP.

MODEL A700

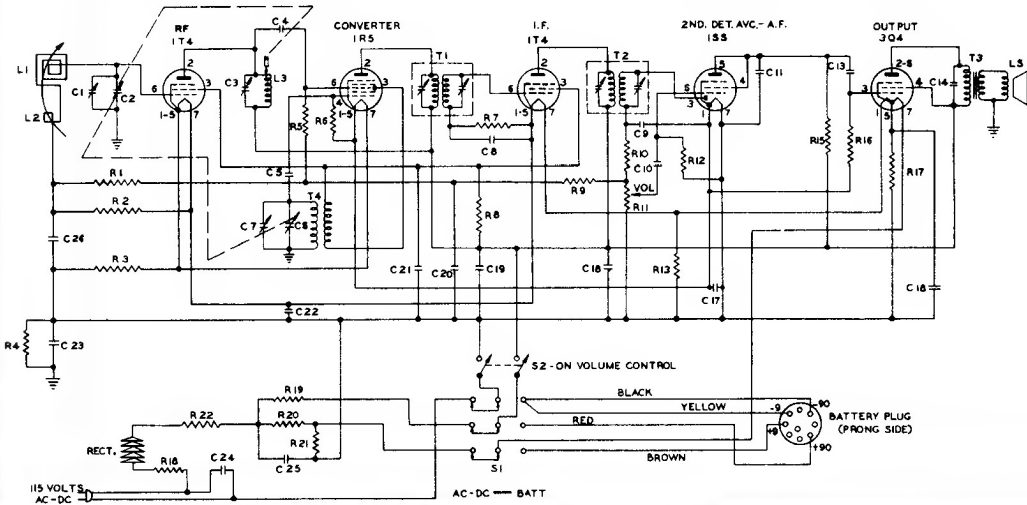
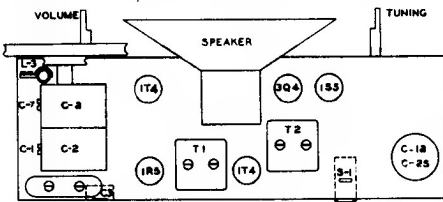
CHASSIS 110S

I. F. Alignment

1. Connect output meter across speaker voice coil; set meter on 1-volt scale.
2. Connect output of signal generator to trimmer C3 (blue wire on trimmer located at rear of chassis). The ground side of the signal generator should be connected to B through a .1 Mfd. condenser. Set signal generator on 455 Kc (modulated).
3. Adjust I.F. trimmers (first T2 and then T1) for maximum reading on output meter.
NOTE: Keep signal level low, just enough to keep the maximum reading on the output meter at 0.4 volt or less. tuning gang should be set with plates all the way out; volume control full on.
4. Replace bottom cover plate.

R. F. Alignment

1. Leave tuning gang with plates all the way out.
2. Set signal generator on 1650 Kc (modulated) and feed generator output into a loop of wire approximately 6" in diameter. Place the loop about one foot away and parallel to the receiver loop antenna.
3. Tune in signal by adjusting oscillator trimmer C7.
4. Adjust output of signal generator to obtain deflection of .4 volt or less on output meter.
5. Adjust oscillator trimmer for maximum output.
6. Set Signal generator to 1400 Kc and tune in signal with tuning condenser.
7. Adjust loop antenna trimmer C1 and R. F. Coil assembly for maximum output. The R. F. coil adjustment is made by loosening the coil mounting clamp and sliding the coil up or down as required.
8. Set signal generator and tuning gang to 600 Kc and adjust R. F. trimmer C3 for maximum output.
9. Go back to 1400 Kc to check tracking and readjust at 1400 Kc and 600 Kc as required.



SYMBOL	DESCRIPTION	Hoffman No.
C1-C7	Trimmers—Part of Variable Condenser	
C2-C6	Two Section Variable (388-180 Mmf.)	4401
C3	60-260 Mmf. Mica Trimmer	4306
C4-C9-C11	.0001 Mfd. Mica	4000
C5	47 Mfd. Mica	4009
C8-C26	.01 Mfd. 400 Volt Tubular Paper	4112
C10-C12- C13-C14	.005 Mfd. 600 Volt Tubular Paper	4102
C15-C16	100 Mfd. 25 Volt Dry Electrolytic	4204
C17-C19- C20-C21	.05 Mfd. 200 Volt Tubular Paper	4100
C18-C25	Dry Electrolytic Condensar (30-50 Mfd. 150-150 Volt)	4201
C22-C23	.2 Mfd. 200 Volt Tubular Paper	4108
C24	.05 Mfd. 400 Volt Tubular Paper	4101
L1	Antenna Loop	55208
L2	Antenna Loop Compensator	5250
L3	R.F. Coil Permeability Tuned	5245
L.S.	5 1/4" P.M. Speaker	9019
R1-R14	3.3 Megohm, 1/2 Watt	4535
R2-R7-R9- R16	2.2 Megohm, 1/2 Watt	4502
R3	680 Ohms, 1/2 Watt	4514
R4	.47 Megohm, 1/2 Watt	4506
R5-R15	1 Megohm, 1/2 Watt	4513
R6-R10	.1 Megohm, 1/2 Watt	4511
R8	3900 Ohms ± 10%, 1/2 Watt	4527
R11	1 Megohm Potentiometer with D.P.S.T. Switch (Volume)	4808
R12	10 Megohm, 1/2 Watt	4505
R13*	820 Ohm ± 10%, 1/2 Watt	4533
R17	1500 Ohm, 1/2 Watt	4534
R18-R22	47 Ohm, 2 Watt	4532
R19	1000 Ohm, 1 Watt	4522
R20	1500 Ohm, 6 1/2 Watt ± 5% Wiraround	4701
R21	470 Ohm, 1 Watt ± 10%	4531
S1	AC/DC Battery Switch Plug Operated	6010
S2	On-Off Switch (on Volume Control)	
T1	Input I.F. Transformer (455 K.C.)	5242
T2	Output I.F. Transformer (455 K.C.)	5243
T3	Output Audio Transformer	5104
T4	Oscillator Coil	5244
Rect.	Selenium Rectifier	9517

* Same sets use 1000 ohms ± 20%, 1/2 Watt, Part No. 4542.

The following table lists the normal operating voltages to be expected at the various socket terminals.

PIN NO.	1	2	3	4	5	6	7	8
1T4 (RF)	2.6	84	65		2.6		3.9	
1R5	1.3	84	64	-5.0*	1.3	3*	2.6	
1T4 (RF)	3.9	84	65	1.2*	3.9	1.5*	5.2	
1S5	1.3	0	.5*	20*	1	-5*	0	
3Q4	5.2	84	-1.3*	84	6.5	84	7.8	

NOTE: All voltages are measured with reference to B- (black wires on volume control switch) and no signal input to receiver.

* These readings must be taken with a V. T. V. M.