

# Hoffman

RADIO CORP.

## Models B503, B513, Chassis 115

### TUNING RANGES:

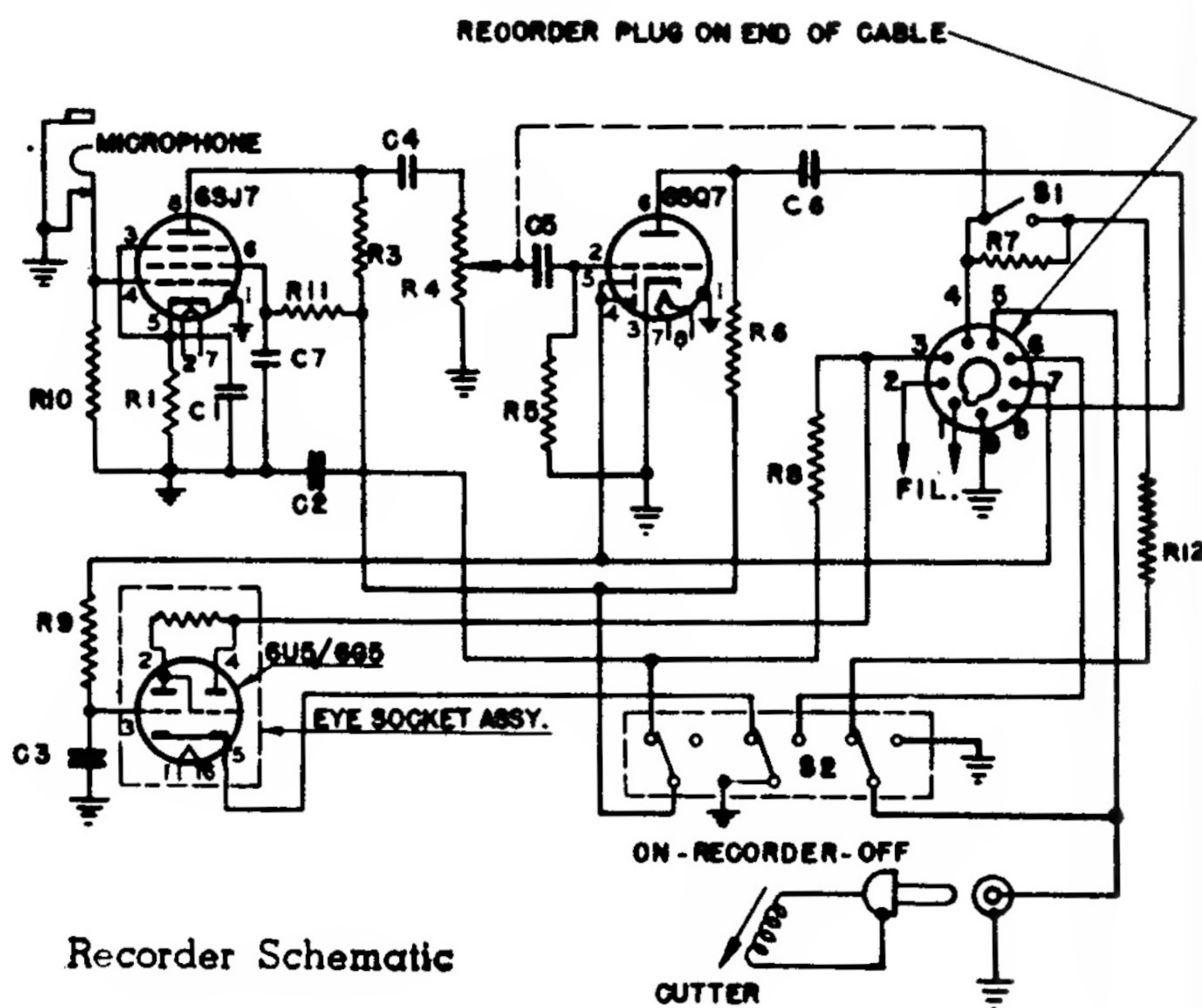
|                              |                          |
|------------------------------|--------------------------|
| Band "A" .....               | 540 Kc to 1600-Kc.       |
| Band "B" .....               | 5.6 Mc to 10.4 Mc.       |
| Band "C" .....               | 9.4 Mc to 19.4 Mc        |
| Intermediate Frequency ..... | 455 Kc                   |
| Power Supply .....           | 115V. A.C., 50-60 C.P.S. |

Hoffman Models C503 and C513 are electrically identical with Models B503 and B513 respectively, except for the following:

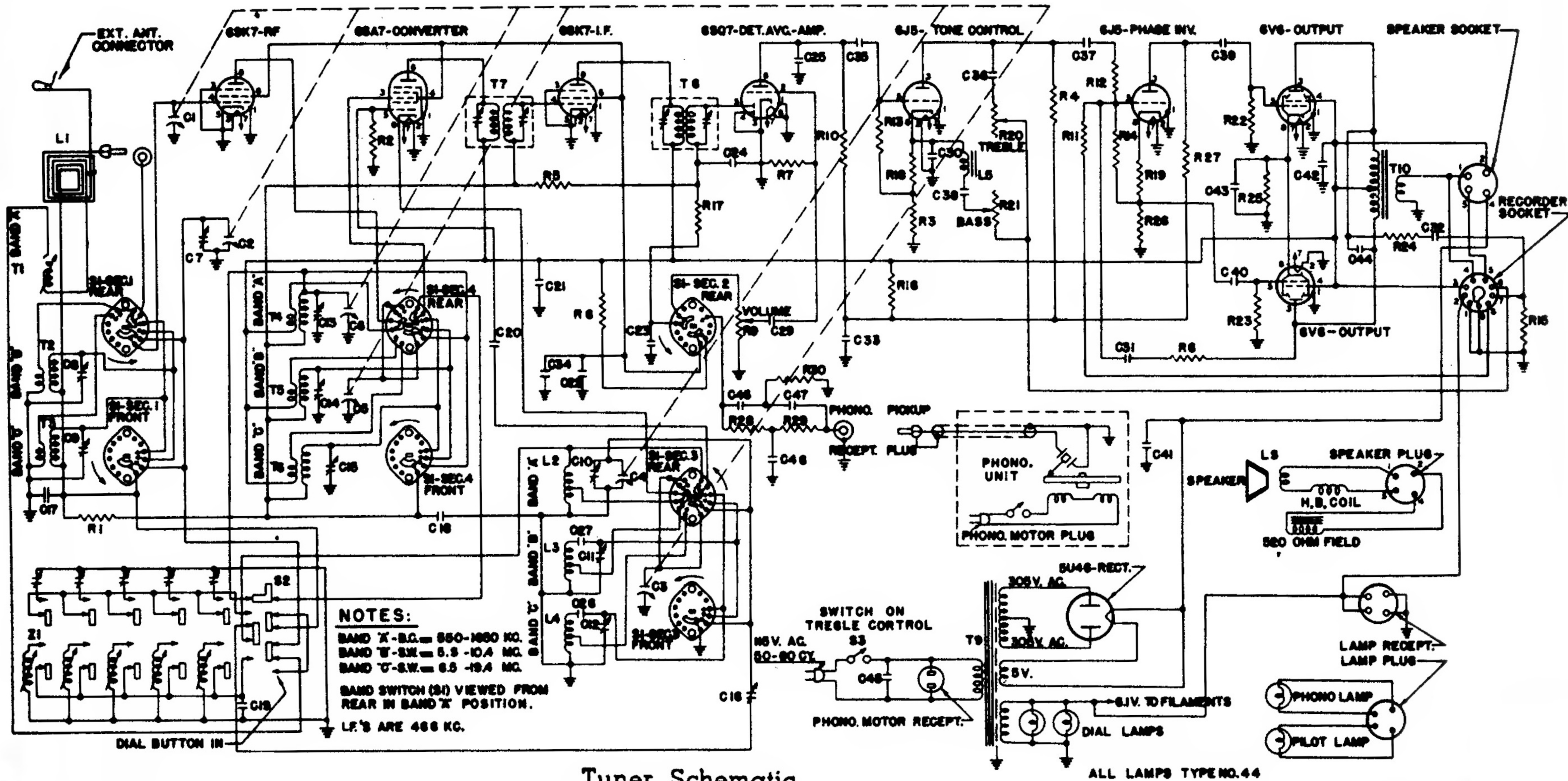
1. Push-pull parallel 6K6's are used in the output stage instead of push-pull 6V6's.
2. An "Entertainment Panel" has been wired into the tuner chassis to provide microphone input, a speaker off-on switch, a pillow speaker plug, and an auxiliary phono input.
3. A resistance-capacity filter has been inserted in the B-plus line feeding the phase inverter stage (see R11 and C110, power supply schematic)
4. On the recorder amplifier the screen dropping resistor (R111) has been changed from .1 meg to 2.2 meg and the cathode resistor (R2) for this stage changed from 2200 ohms to 4700 ohms.

| TUNER CHASSIS       |   |             |             |
|---------------------|---|-------------|-------------|
| SYMBOL              | DESCRIPTION   | HOFFMAN No. | *LIST PRICE |
| C1-C2, C3-C4, C5-C6 | Three-Section Variable with Split Stator (160-260, 160-260, 160-260 Mmf.) | 4403        | 6.88        |
| C7, C8, C9          | Three-Section Trimmer Assembly  | 4300        | .76         |
| C10, C11, C12       | Three-Section Trimmer Assembly  | 4300        | .76         |
| C13, C14, C15       | Three-Section Trimmer Assembly  | 4300        | .76         |
| C16                 | 110-560 Mmf., Padder, Band "A"  | 4301        | .45         |
| C17, C18,           | .05 Mfd., 200 Volt, Tubular Paper   | 4100        | .21         |
| C19                 | 500 Mmf., + 5% Silver Mica  | 4004        | .45         |
| C20                 | .47 Mmf., - 10% Mica  | 4007        | .22         |
| C21, C22            | .05 Mfd., 400 Volt, Tubular Paper   | 4101        | .23         |
| C23, C24, C25       | 100 Mmf., + 20% Mica  | 4000        | .18         |
| C27                 | 1050 Mmf., - 5% Mica  | 4005        | .42         |
| C28                 | 2300 Mmf., - 5% Mica  | 4006        | .63         |
| C29, C30, C31, C32  | .005 Mfd. 600 Volt, Tubular Paper   | 4102        | .21         |
| C33, C34            | 10 Mfd. 450 Volt, Tubular Electrolytic                                    | 4203        | 1.24        |
| C35, C36, C37       | .01 Mfd., 400 Volt Tubular Paper  | 4112        | .19         |
| C38                 | .5 Mfd. 200 Volt Tubular Paper  | 4110        | .41         |
| C39, C40            | .02 Mfd., 400 Volt, Tubular Paper   | 4106        | .19         |
| C41, C42, C43       | 20-20-20 Mfd. 450-450 25V. Electrolytic                                   | 4200        | 2.28        |
| C44                 | .001 Mfd., 600 Volt, Tubular Paper  | 4104        | .20         |
| C45                 | .01 Mfd. 600 V. Tubular Paper, Metal Can.                                 | 4105        | .37         |
| C46, C47            | 330 Mmf., - 5% Mica   | 4010        | .34         |
| C48                 | 650 Mmf., - 5% Mica   | 4011        | .38         |
| L1                  | Loop Antenna  | 55210       | 1.85        |
| L2                  | Oscillator Coil (Band "A")  | 5215        | 1.08        |
| L3, L4              | Oscillator Coil (Bands "B" and "C")                                       | 5218        | 1.68        |
| L5                  | Choke-Bass Boost  | 5103        | 3.80        |
| L6                  | 12" Loudspeaker (Electrodynamic)  | 9044        | 19.68       |
| R1                  | 1 Megohm ± 20% 1/2 Watt   | 4511        | .05         |
| R2, R3, R4          | 22,000 Ohm ± 20% 1/2 Watt   | 4501        | .05         |
| R5                  | 2.2 Megohm ± 20% 1/2 Watt   | 4502        | .05         |
| R6                  | 10,000 Ohm ± 20% 1 Watt   | 4503        | .19         |
| R7                  | 10 Megohm ± 20% 1/2 Watt  | 4505        | .05         |
| R8                  | 5 Megohm ± 20% 1/2 Watt   | 4544        | .07         |
| R9                  | .5 Megohm Potentiometer—Volume Control                                    | 4804        | .80         |
| R10, R11, R12       | 22 Megohm ± 20% 1/2 Watt  | 4500        | .05         |
| R13, R14, R15       | 1 Megohm ± 20% 1/2 Watt   | 4513        | .05         |
| R16                 | 47,000 Ohm ± 20% 1 Watt   | 4516        | .09         |
| R17                 | 47,000 Ohm ± 20% 1/2 Watt   | 4504        | .05         |
| R18, R19            | 2,200 Ohm ± 20% 1/2 Watt  | 4512        | .05         |
| R20                 | .25 Meg. Pot. with Switch—Treble Control                                  | 4805        | 1.38        |
| R21                 | 50,000 Ohm Potentiometer—Bass Control                                     | 4806        | .75         |
| R22, R23, R24       | .47 Megohm ± 20% 1/2 Watt   | 4506        | .05         |
| R25                 | 220 Ohm ± 20% 3 Watt  | 4519        | .29         |
| R26, R27, R28, R29  | 47,000 Ohm ± 5% 1/2 Watt  | 4537        | .11         |
| R30                 | 22,000 Ohm ± 5% 1/2 Watt  | 4538        | .11         |
| S1                  | Band Change Switch  | 6005        | 2.81        |
| S2                  | Pushbutton Switch Assembly  | 6004        | 2.92        |
| S3                  | On-Off Switch (on Treble Control)   |             |             |
| T1                  | Antenna Coil (Band "A")   | 5220        | 1.18        |
| T2, T3              | Antenna Coil (Bands "B" and "C")  | 5217        | 1.68        |
| T4                  | R.F. Coil, Shielded (Band "A")  | 5216        | 1.45        |
| T5, T6              | R.F. Coil (Bands "B" and "C")   | 5219        | 1.68        |
| T7                  | Input I.F. Transformer  | 5213        | 2.15        |
| T8                  | Output I. F. Transformer  | 5214        | 1.93        |
| T9                  | Power Transformer   | 5001        | 10.08       |
| T10                 | Audio Output Transformer  | 5108        | 2.68        |
| Z1                  | Pushbutton Tuning Assembly  | 55200       | 4.40        |

\*Prices subject to change without notice.



| RECORDER CHASSIS |                                    |             |             |
|------------------|------------------------------------|-------------|-------------|
| SYMBOL           | DESCRIPTION                        | HOFFMAN NO. | *List Price |
| C1               | 25 MFD—25 Volt, Electrolytic       | 4205        | .73         |
| C2               | 10 Mfd. 450 Volt, Electrolytic     | 4203        | 1.24        |
| C3, C4           | .01 Mfd. 400 Volt, Tubular paper   | 4112        | .19         |
| C5               | .005 Mfd. 600 Volt, Tubular Paper  | 4102        | .21         |
| C6               | .02 Mfd. 400 Volt, Tubular Paper   | 4106        | .19         |
| R1               | 2200 Ohm ± 20% 1/2 Watt            | 4512        | .05         |
| R2               | 10,000 Ohm. ± 20% 1/2 Watt         | 4515        | .05         |
| R3               | .47 Megohm ± 20% 1 Watt            | 4506        | .05         |
| R4               | .5 Megohm Potentiometer            | 4802        | 1.09        |
| R5               | 10 Megohm ± 20% 1/2 Watt           | 4505        | .05         |
| R6               | .22 Megohm ± 20% 1/2 Watt          | 4500        | .05         |
| R7               | 1.0 Ohm ± 20% 1/2 Watt Wire Wound  | 4707        | .13         |
| R8               | 47,000 Ohm ± 20% 1 Watt            | 4516        | .09         |
| R9, R10          | 1.0 Megohm ± 20% 1/2 Watt          | 4513        | .05         |
| R11              | .1 Megohm ± 20% 1/2 Watt           | 4511        | .05         |
| S1               | Monitor on-off Switch (Part of R4) |             |             |
| S2               | Recorder On-off Switch             | 6003        | 1.45        |
| R12              | .5 Ohm ± 20% 1/2 Watt Wire Wound   | 4708        | .06         |



Tuner Schematic

ALL LAMPS TYPE NO. 44