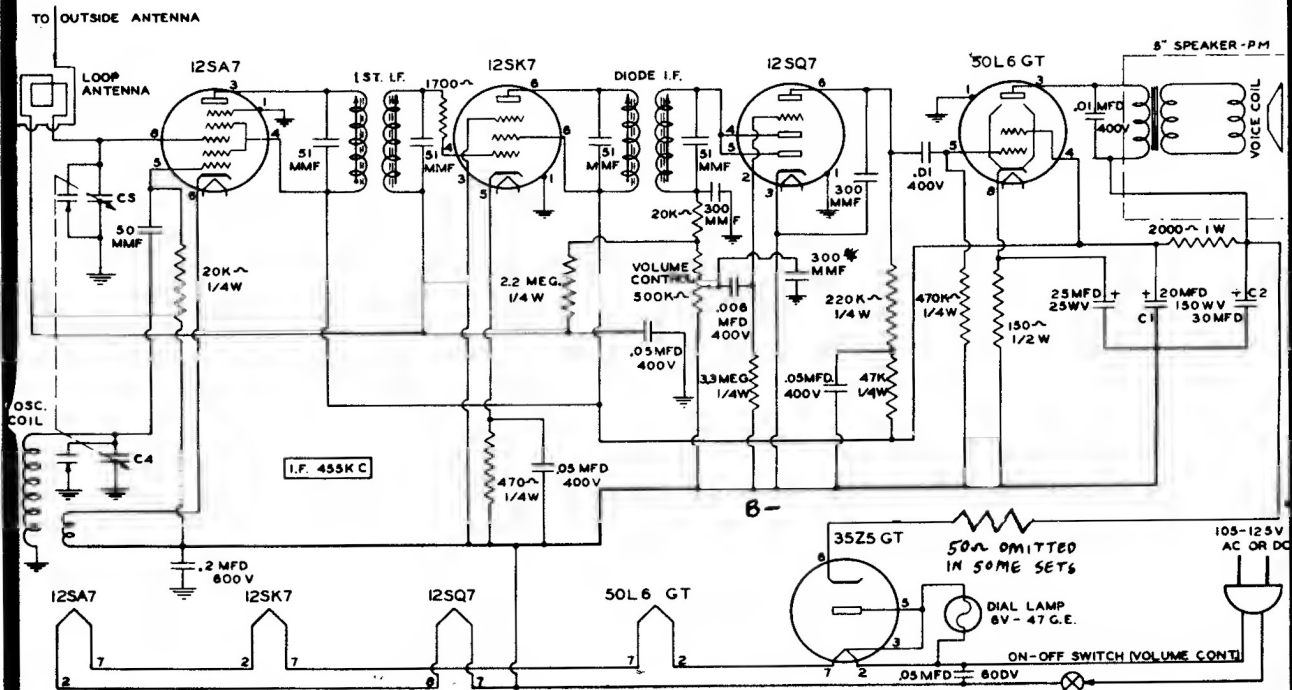
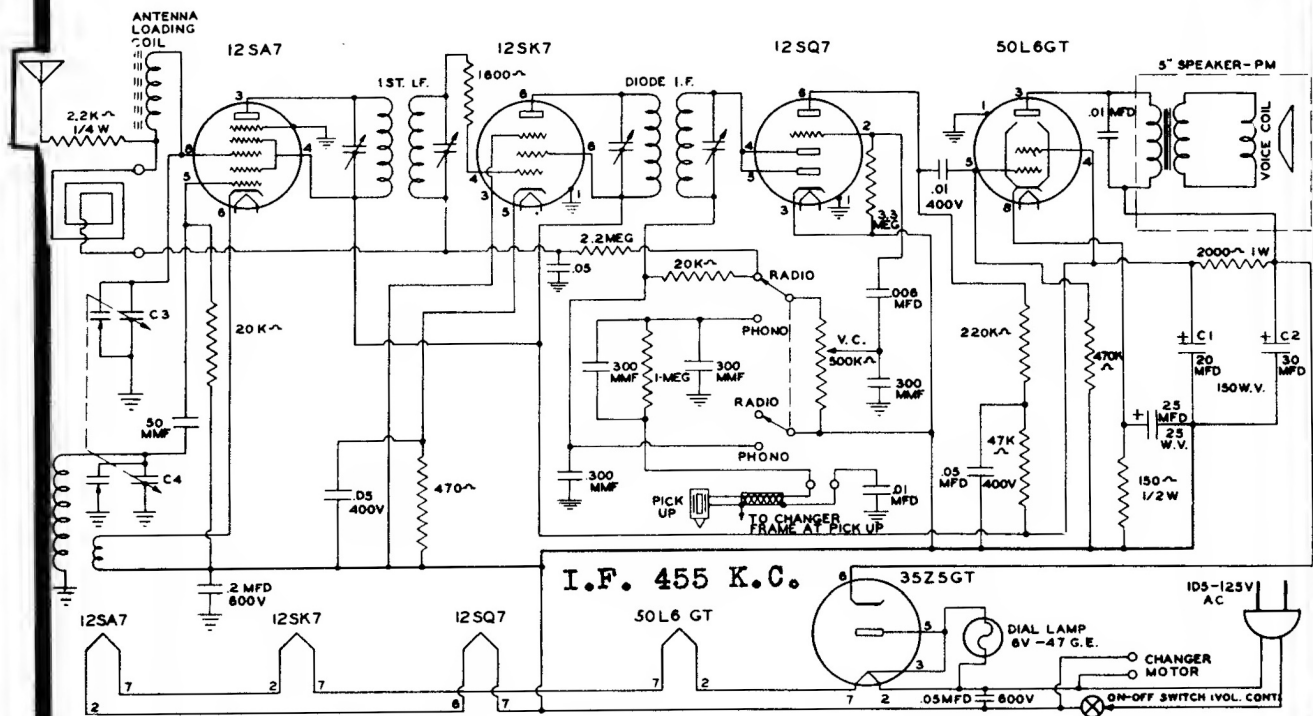
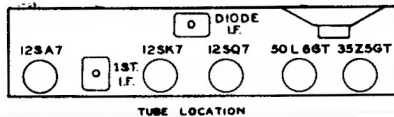


HOWARD RADIO COMPANY

Model 901-AP



* IN SOME SETS THIS CONDENSER GOES TO B- INSTEAD OF GRN.



HOWARD RADIO CO.
MODEL 901-A
SD-0001-D