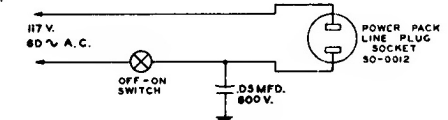
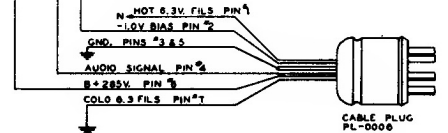
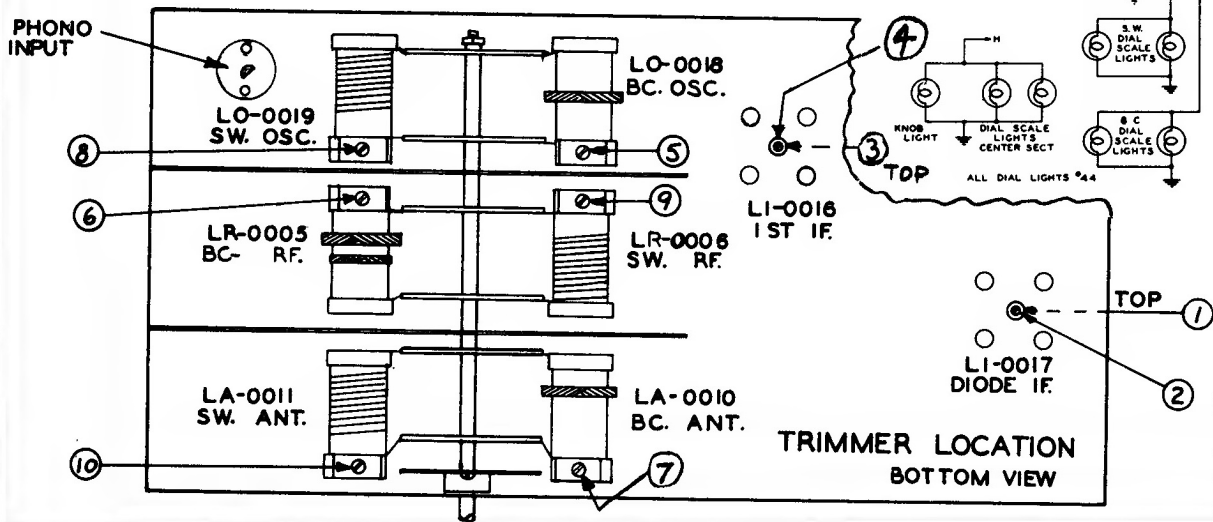
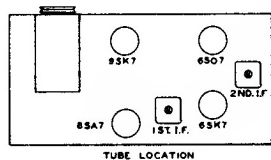


**Howard Radio Company
Model 909-M**



- NOTES -**
- 1. SW-0007, SIX SECTION-THREE POSITION BAND SWITCH SHOWN IN POSITION #1.
 - NO. 1 POSITION IS PHONO
 - 2 POSITION IS RADIO BROADCAST.
 - 3 POSITION IS RADIO SHORT WAVE.
 - 2. SW-0006 ONE SECTION-FIVE POSITION TONE SWITCH SHOWN IN "FULL" POSITION
 - 3. ALL SWITCH SECTIONS SHOWN IN COUNTER-CLOCKWISE POSITION AS VIEWED FROM KNOB END OF SHAFT.
 - 4. RESISTORS ARE $\pm 20\%$ - $1/4W$. UNLESS OTHERWISE SPECIFIED.
 - 5. $K = 1000$ OHMS