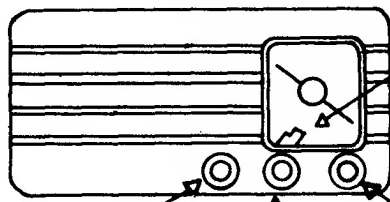


# HOWARD RADIO

## MODEL 920 BATTERY SET

### BATTERIES

1½ Volt "A" Battery  
90 Volt "B" Battery  
Follow connections  
as shown on Battery  
Label.



SWITCH  
INDICATING FLAG

Battery Saver  
Full Power  
"Off" when flag  
is out of sight.

VOLUME CONTROL

TUNING CONTROL

### BATTERY CONSERVATION

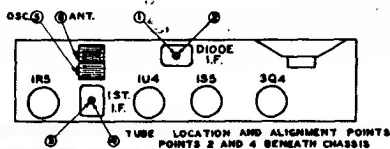
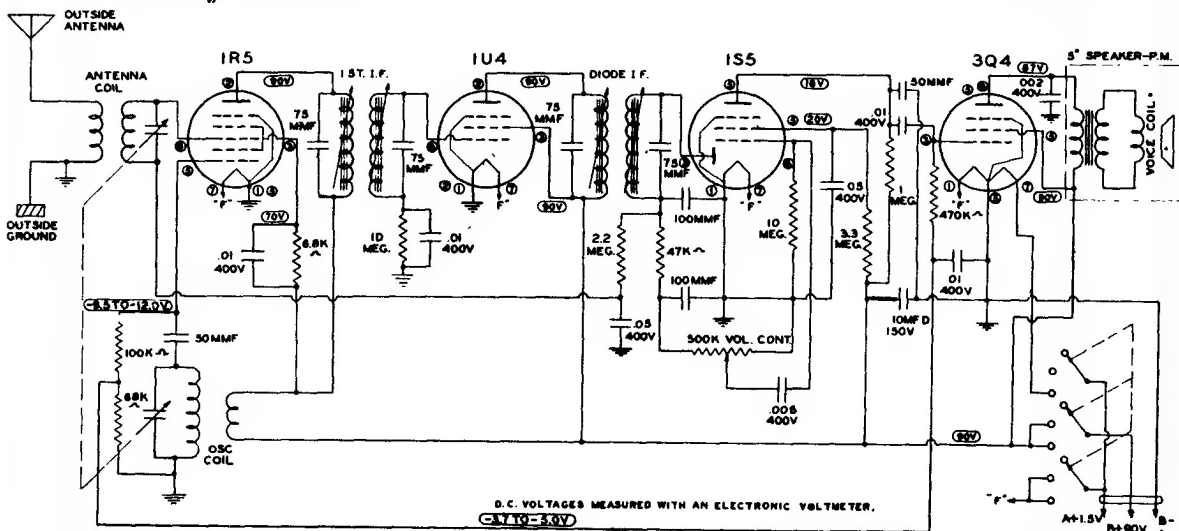
1. Turn Battery Switch "Off" when set is not in use.
2. Use "Battery Saver" on all strong stations.
3. Use heavy duty pack or batteries.
4. The following batteries are some well known makes that can be used with this instrument;  
Burgess No.17GD60  
Eveready No.758

### BATTERY SWITCH

"OFF POSITION": Switch turned counter-clockwise

"BATTERY SAVER": Switch turned clockwise - one step.

"FULL POWER"; Switch turned clockwise - two steps. Flag will indicate "Full Power".



I.F. 455 KC

REAR VIEW OF SWITCH SHOWN IN EXTREME COUNTER-CLOCKWISE POSITION.