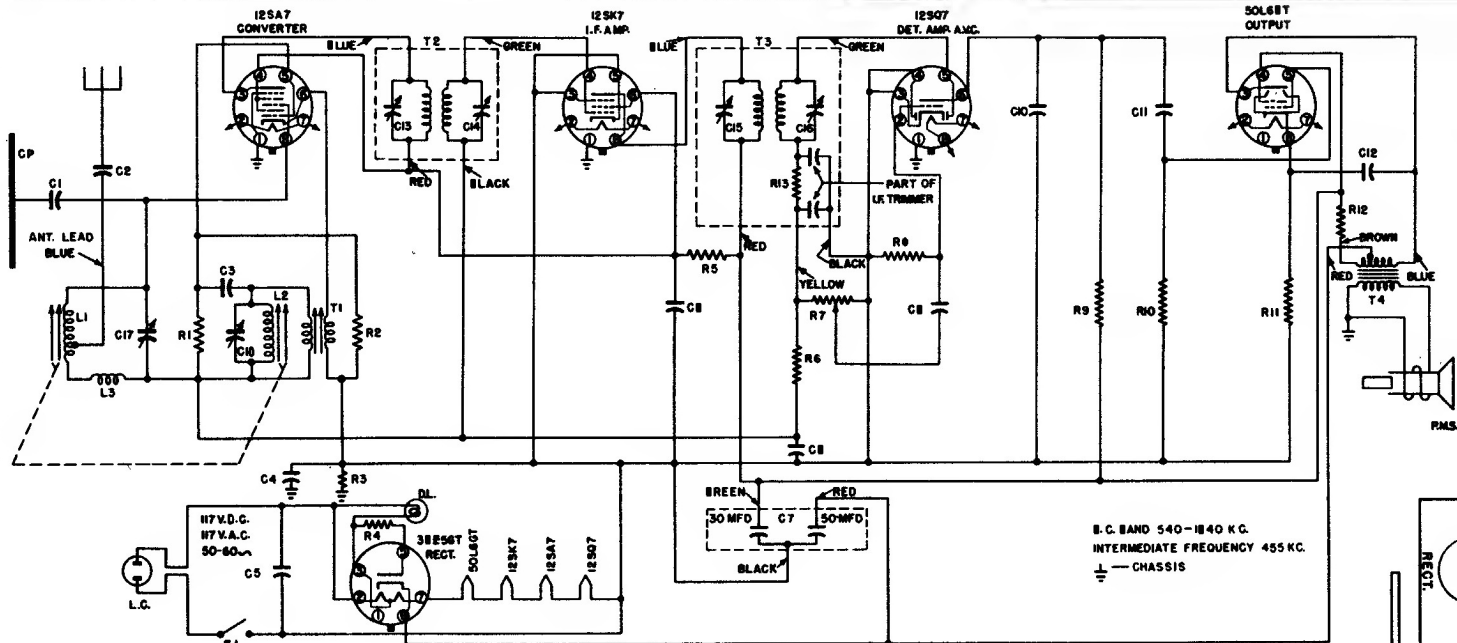


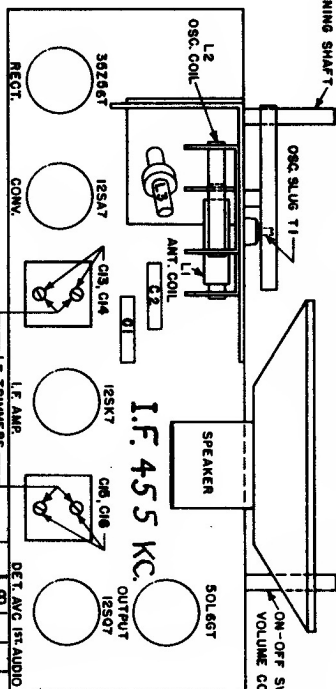
LEAR

MODELS 565 565BL

566, 567, 568



B.C. BAND 540-1140 KC.
INTERMEDIATE FREQUENCY 455 KC.
— CHASSIS



DWG. SYM.	PART NO.	DESCRIPTION
R1	55496	15 meg. $\frac{1}{2}$ w. carbon resistor
R2	55479	22,000 ohm $\frac{1}{2}$ w. carbon resistor
R3	55485	220,000 ohm $\frac{1}{2}$ w. carbon resistor
R4	55460	15 ohm $\frac{1}{2}$ w. carbon resistor
R5	55475	4,700 ohm $\frac{1}{2}$ w. carbon resistor
R6	55491	2.2 meg. $\frac{1}{2}$ w. carbon resistor
R7, S1	56340	500,000 ohm vol. control & line sw.
R8	55491	2.2 meg. $\frac{1}{2}$ w. carbon resistor
R9	55487	470,000 ohm $\frac{1}{2}$ w. carbon resistor
R10	55487	470,000 ohm $\frac{1}{2}$ w. carbon resistor
R11	55466	150 ohm $\frac{1}{2}$ w. carbon resistor
R12	55674	1,200 ohm $\frac{1}{2}$ w. carbon resistor
R13	55481	47,000 ohm $\frac{1}{2}$ w. carbon resistor
L1, L2		Slug tuner & pulley essy.
C17, C18	54204	Antenna loading coil
L3	53385	Line cord
L.C.	53051	Dial light, type 47
D.L.	70535	5" Permanent magnet speaker
P.M.S.	53450	

DWG. SYM.	PART NO.	DESCRIPTION
CP	52578	Antenna Assy. LOOP
T1	54202	Oscillator Transformer Assy.
T2	53358	#1 I.F. Transformer Assy.
T3	53361	#2 I.F. Transformer Assy.
T4	52531	Output Transformer
C1	56053	22 mmfd. Mica Capacitor
C2	56053	22 mmfd. Mica Capacitor
C3	56055	47 mmfd. Mica Capacitor
C4	56631	.1 mid. 400 v. Paper Capacitor
C5	56656	.05 mid. 600 v. Paper Capacitor
C6	56631	.1 mid. 400 v. Paper Capacitor
C7	52326	50 - 30 mfd. 150 v. Electrolytic
C8	56600	.85 mid. 200 v. Paper Capacitor
C9	56596	.82 mid. 200 v. Paper Capacitor
C10	56059	220 mmfd. Mica Capacitor
C11	56583	.504 mid. 200 v. Paper Capacitor
C12	56628	.85 mid. 400v. Paper Capacitor
C13, C14		#1 I.F. Trimmers (Part of essy.)
C15, C16		#2 I.F. Trimmers (Part of essy.)

TUBE	FUNCTION	Voltage of each socket prong to B- (Prong No. 3 of 12SK7)							
		No. 1	No. 2	No. 3	No. 4	No. 5	No. 6	No. 7	No. 8
12SA7	Oscillator - Converter	0	-	90	90	0	0	-	0
12SK7	I-F Amplifier	0	-	0	0	0	90	-	90
12SQ7	Detector - AVC - 1st. Audio	0	0	0	0	0	28	-	-
50L6	Beam Power Amplifier	0	-	115	90	0	0	-	6
35Z5	Rectifier	-	-	-	-	110 AC	-	-	117

TUNING SHAFT
OSC. SLUG T1
OSC. COIL
ANT. COIL
I.F. TRIMMERS
ANTENNA
SPEAKER
DET. AVC (1st. AUDIO)
ON-OFF SWITCH & VOLUME CONTROL
SOL.6BT
OUTPUT
50L6BT