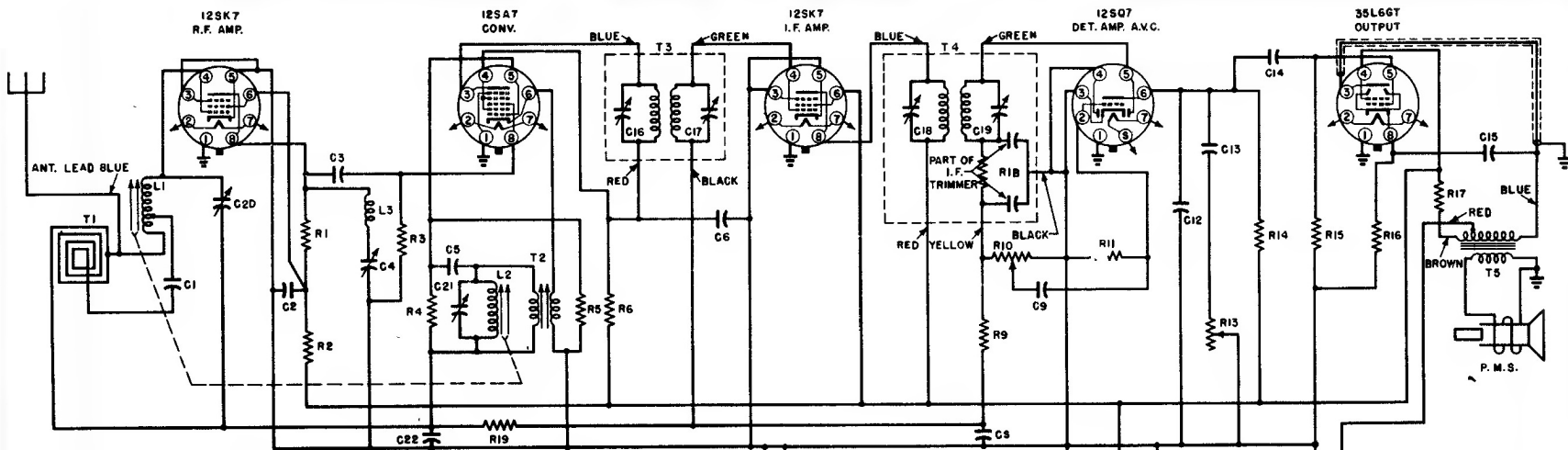
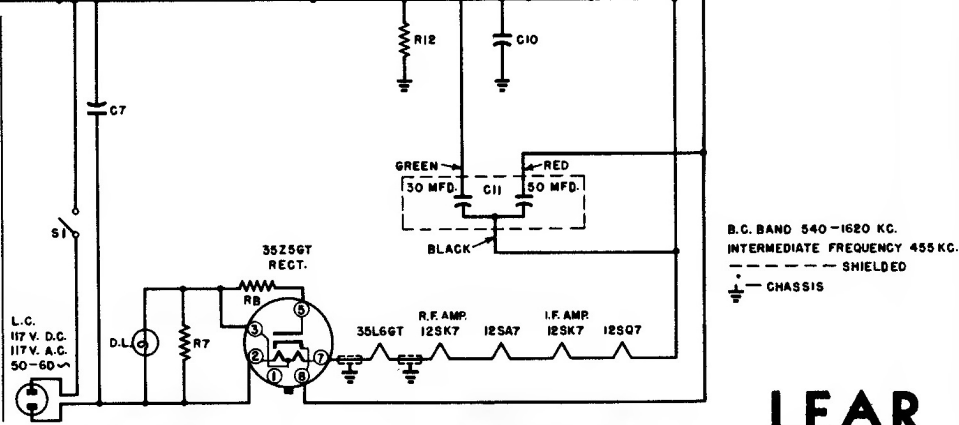


LEAR SUPERHETERODYNE MODELS 6614, 6615, 6616, 6619

BOTTOM VIEWS OF ALL SOCKET CONNECTIONS



DWG. SYM.	PART NO.	DESCRIPTION	DWG. SYM.	PART NO.	DESCRIPTION
T1	54493	LOOP ANTENNA ASSEMBLY	R1	55412	2,700 OHM 1/2 W. CARBON RESISTOR
T2	34282	OSCILLATOR TRANSFORMER ASSEMBLY	R2	55466	470 " " " "
T5	53350	NO. 1 I.F. " " "	R5	55465	220,000 " " " "
T4	55361	" 2 " " " "	R4	55466	15 MEG. " " " "
T3	92331	OUTPUT " " " "	R5	55476	22,000 OHM " " " "
C1	56075	1000 MMFD. MICA CAPACITOR	R6	55466	470 " " " "
C2	56600	.03 MFD. 200V. PAPER CAPACITOR	R7	55466	150 " " " "
C3	56057	100 MMFD. MICA CAPACITOR	R6	53460	15 " " " "
C4	52556	WAVE TRAP TRIMMER ASSEMBLY	R9	55461	2.2 MEG. " " " "
C5	56057	100 MMFD. MICA CAPACITOR	R10, S1	56340	500,000 OHM VOL. CONTROL & LINE SW.
C5	56600	.05 MFD. 200V. PAPER CAPACITOR	R11	55494	1/2 W. CARBON RESISTOR
C7	56656	.05 " 600V. " " "	R12	55485	220,000 OHM " " " "
C6	56600	.05 " 200V. " " "	R13	55356	500,000 " " TONE CONTROL
C6	56666	.02 " " " " " "	M4	35487	470,000 " " 1/2 W. CARBON RESISTOR
C10	56631	.1 " " 400V. " " "	R15	55467	470,000 " " " "
C11	62526	50-50 MFD. 150V. ELECTROLYTIC	R16	55467	470,000 " " " "
C12	56056	220 MMFD. MICA CAPACITOR	R17	55466	130 " " " "
C13	56642	.002 MFD. 600V. PAPER CAPACITOR	R16	55466	1200 " 2 W. " "
C14	35666	.04 " 200V. " " "	R16	55640	47,000 " 1/2 W. " "
C15	56626	.03 " 400V. " " "	L1, L2	34284	SLUG TUNER & PULLEY ASSY.
C16, C17		NO. 1 I.F. TRIMMERS (PART OF ASSY.)	L5	63015	M.F. WAVE TRAP
C16, C19		" " " " " " " "	L.C.	35091	LINE COND.
C22	56600	.05 MFD. 200V. PAPER CAPACITOR	O.L.	70335	DIAL LIGHT, TYPE 47
R16	55461	2.2 MEG. 1/2 W. CARBON RESISTOR	P.M.S.	33450	5" PERMANENT MAGNET SPEAKER



B.C. BAND 540-1620 KC.
 INTERMEDIATE FREQUENCY 455 KC.
 --- SHIELDED
 ⊥ CHASSIS

LEAR

TUBE	FUNCTION	Voltage of each socket prong to B- (Prong No. 3 of 12SK7 IF Tube)							
		No. 1	No. 2	No. 3	No. 4	No. 5	No. 6	No. 7	No. 8
12SK7	R. F. Amplifier	0	...	0	0	0	81	...	53
12SA7	Converter	0	...	83	82	7	0	...	0
12SK7	I. F. Amplifier	0	...	0	0	0	84	0	84
12SQ7	Detector - Amplifier - A.V.C.	0	6	0	0	0	38
35L6GT	Output	0	...	110	84	0	0	...	4
35Z5GT	Rectifier	108AC	117.

I.F. 455 KC.