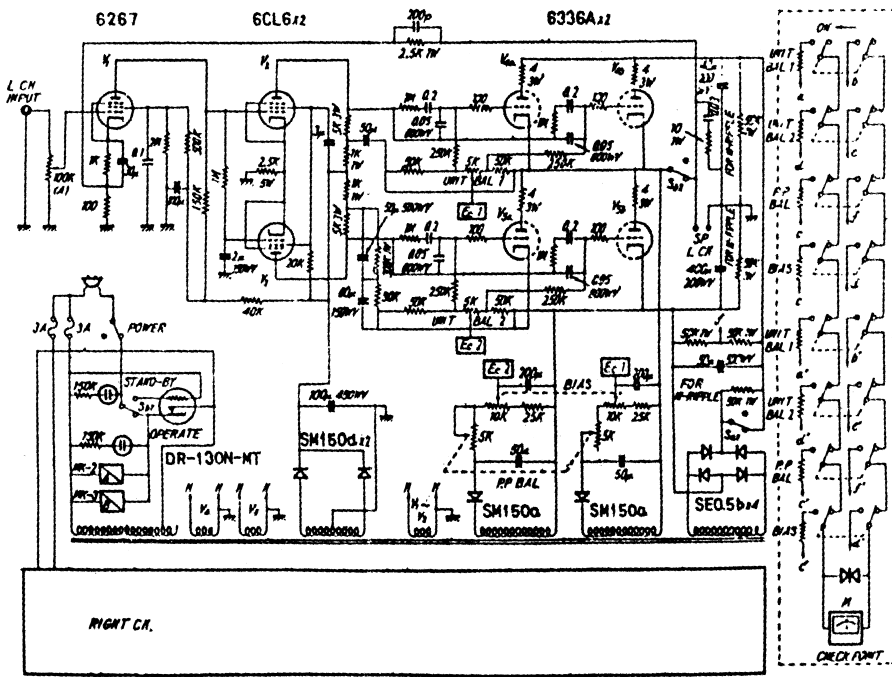


6267

6CL6A2

6336A22

L CH INPUT



RIGHT CH.

CHECK POINT