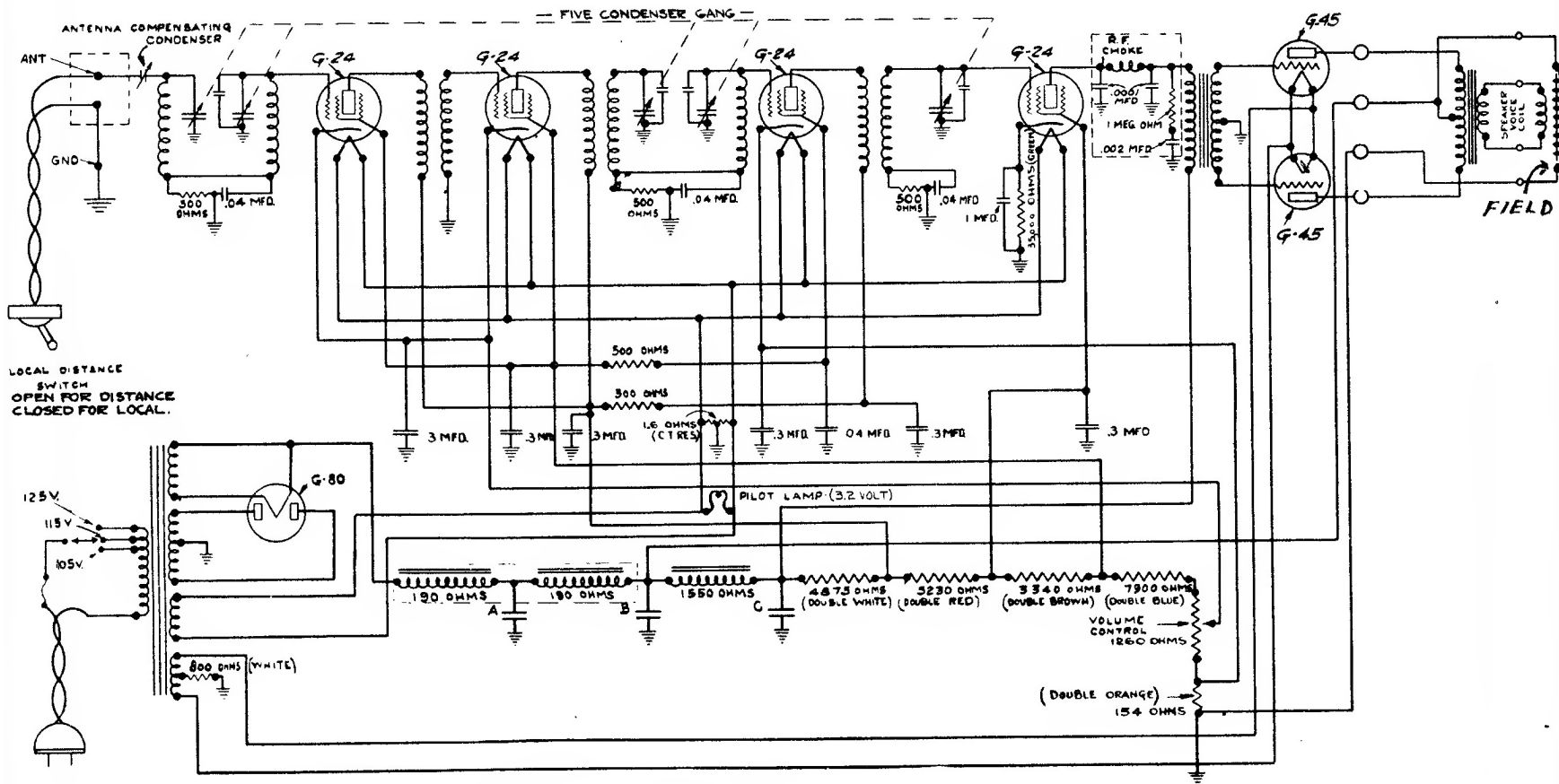


# SCHEMATIC DIAGRAM of MAJESTIC SUPER SCREEN GRID RECEIVER

MODEL 130-A CHASSIS 25-40 & 50-60 CYCLE



50-60 CYCLE

A = 2 MF  
B = 3 MF  
C = 2 MF

25-40 CYCLE

A = 4 MF  
B = 4 MF  
C = 2 MF