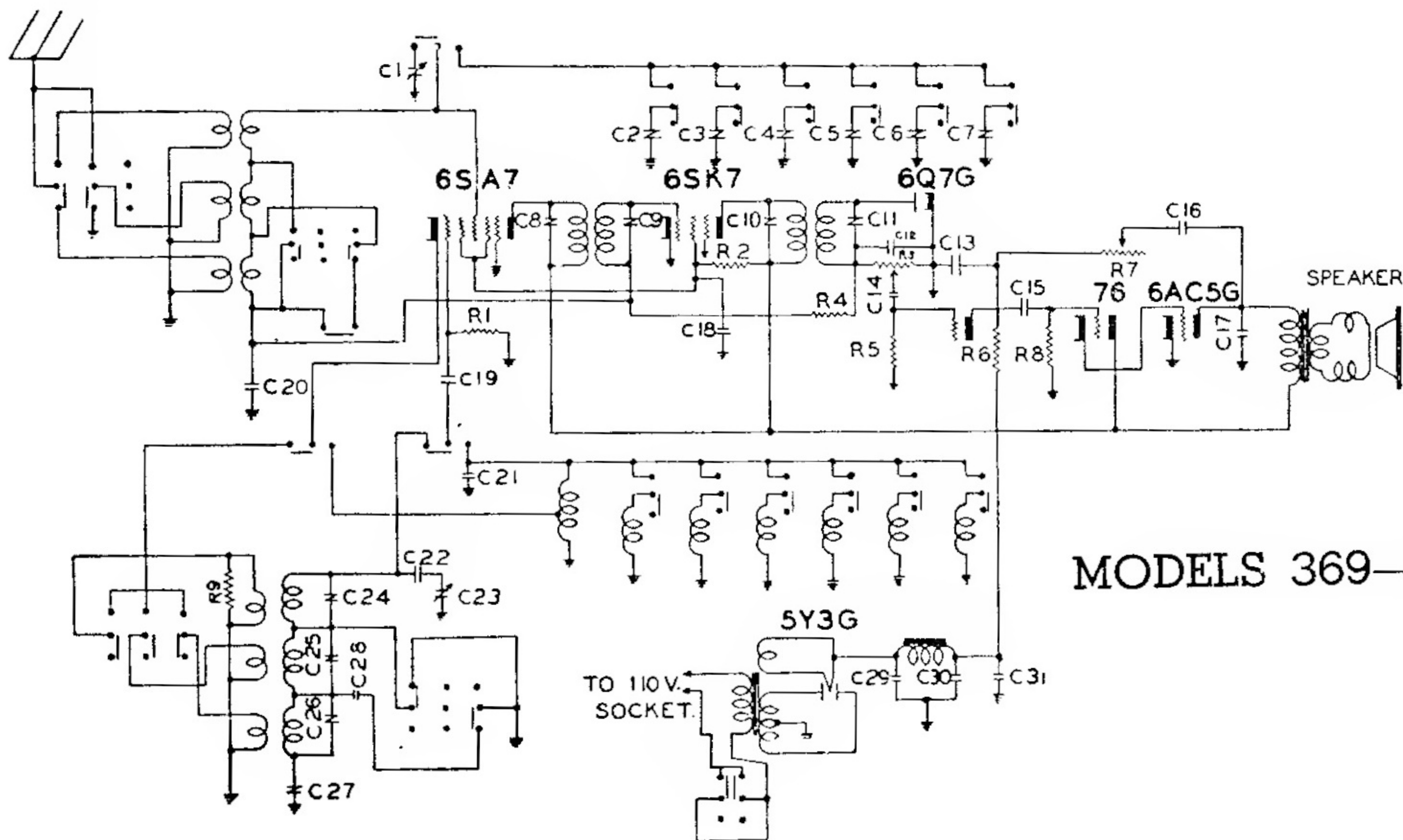


Majestic Radio & Television Corporation



MODELS 369—3C69

Schematic Location	Description	Schematic Location	Part No.	Description	Schematic Location	Description
R3	Volume and tone control	C27	Y-CT-4	Padding Condenser	C12, C13, C19	Mica cond. 100 mmf. 30%
R1	Carbon res. 20K ohm $\frac{1}{4}$ W 20%	C29, C30	CE-52	Electrolytic	C16	Mica cond. 250 mmf. 30%
R2	Carbon res. 10K ohm $\frac{1}{2}$ W 20%	C20	C-15757	Tubular cond. .05 mfd. 200V	C22	Mica cond. 4330 mmf. 5%
R4, R8	Carbon res. 1 meg. $\frac{1}{4}$ W 20%	C15	C-15754	Tubular cond. .01 mfd. 400 V	C28	Mica cond. 2770 mmf. 5%
R5	Carbon res. 15 meg. $\frac{1}{4}$ W 20%	C17	C-15759	Tubular cond. .006 mfd. 600V	C21	Mica cond. 100 mmf. 5%
R6	Carbon res. 250K ohm $\frac{1}{4}$ W 20%	C31	C-15757	Tubular cond. .1 mfd. 400V	C2, C3, C4, C5, C6, C7	} Push-Button Switch
R9	Carbon res. 400 ohm $\frac{1}{4}$ W 20%	C14	C-15774	Tubular cond. .002 mfd. 400V		
		C18	C-15756	Tubular cond. .05 mfd. 400V		