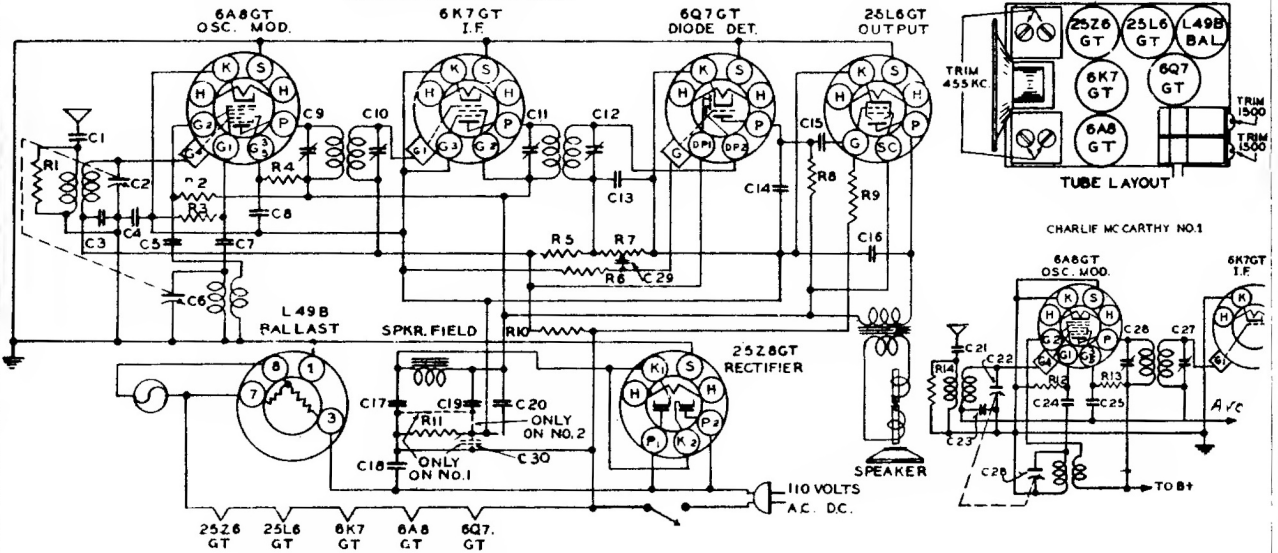


CHARLIE McCARTHY No. 2



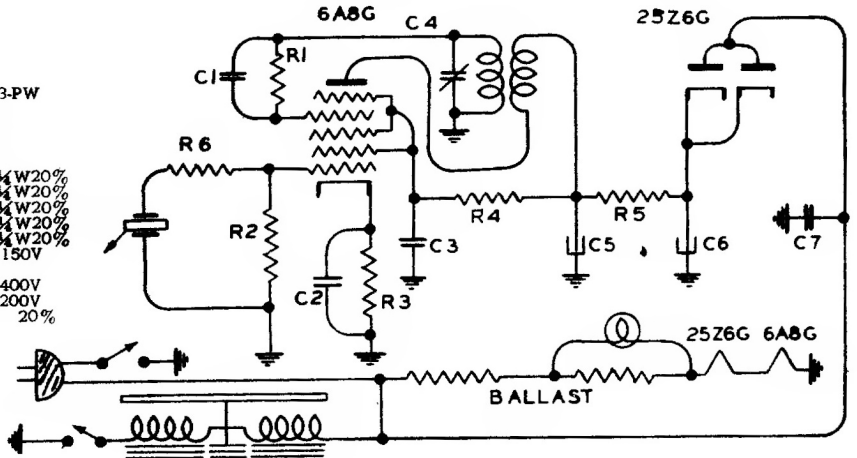
CHARLIE McCARTHY No. 2—PARTS LIST

Schematic Location	Part No.	Description	Schematic Location	Part No.	Description
C15, C29	C-15754	Tubular cond. .01 mfd. 400 V	C17	CE-39	Electr. cond. 40 mfd. 200 V
C3	C-15752	Tubular cond. .05 mfd. 200 V	C19	CE-40	Electr. cond. 16 mfd. 150 V
C1	C18	Tubular cond. .01 mfd. 400 V Paper mold case	C9, C10	Y-CT-18	Trimmer cond. 1st I. F.
C8, C20	C19	Tubular cond. .05 mfd. 400 V Paper mold case	C11, C12	Y-CT-18	Trimmer cond. 2nd I. F.
C4	C20	Tubular cond. .25 mfd. 200 V Paper mold case	C2, C6	Y-CV-18	2 gang variable cond.
C5	C21	Tubular cond. .005 mfd. 400 V Paper mold case	R11	R-67	Wire wound res. 100 ohms 1W 10%
C16	C22	Tubular cond. .02 mfd. 600 V Paper mold case	R3	R-54	Carbon resistor 50K 1/4W 20%
C18	C24	Tubular cond. .1 mfd. 300 V Paper mold case	R4	R-53	Carbon resistor 15K 1/4W 20%
C7	CM-15929	Mica cond. 50 mmf. 20%	R8	R-51	Carbon resistor 500K 1/4W 20%
C13	CM-15928	Mica cond. 250 mmf. 20%	R9	R-52	Carbon resistor 400K 1/4W 20%
C14	CM-15918	Mica cond. 100 mmf. 20%	R5	R-55	Carbon resistor 2 meg. 1/4W 20%
			R10	R-50	Carbon resistor 5 meg. 1/4W 20%
			R6	R-49	Carbon resistor 15 meg. 1/4W 20%
			R1	R-65	Carbon resistor 10K 1/4W 20%
			R2	R-68	Carbon res. 7500 ohms 1/4W 20%
			R7	Y-VC-15	Volume control .5 meg.
			C21		.01 mfd.
			C23		.05 mfd.
			C24		50 mmfd.
			C25		.05 mfd.
			R12		50K 1/4W.
			R13		15K 1/4W.

Majestic Radio & Television Corp. Wireless Record Player 3-PW

REPLACEMENT PARTS LIST FOR MODEL 3-PW

Schematic Location	Part No.	Description
R4, R5	R-2	Carbon resistor 5K 1/4W 20%
R1	R-65	Carbon resistor 10K 1/4W 20%
R3	R-15542	Carbon resistor 1K 1/4W 20%
R6	R-15512	Carbon resistor 250K 1/4W 20%
R2	R-15515	Carbon resistor 100K 1/4W 20%
C5, C6	CE-47	Elect. cond. 8.16 mfd. 150V
C4	Y-CT-6	Adj. padder cond.
C7	C-15757	Paper cond. .1 mfd. 400V
C2, C3	C-15761	Paper cond. .1 mfd. 200V
C1	CM-15929	Mica cond. 50 mmf. 20%



TUBE LOCATION CHART

