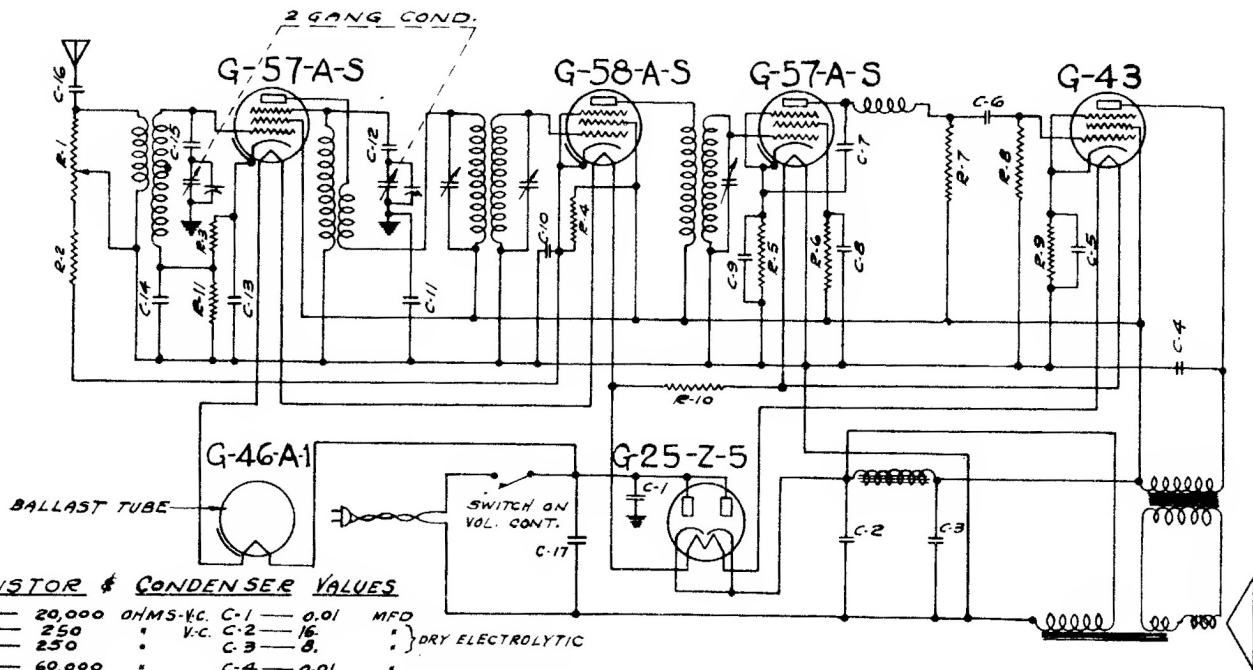


SCHEMATIC DIAGRAM OF MAJESTIC SCREEN GRID A.C.-D.C. SUPERHETERODYNE RECEIVER MODEL - 400



RESISTOR & CONDENSER VALUES

R-1	20,000	OHMS- μ C.	C-1	0.01	MFD
R-2	250	"	C-2	16	"
R-3	250	"	C-3	8	"
R-4	60,000	"	C-4	0.01	"
R-5	50,000	"	C-5	10	"
R-6	1,000,000	"	C-6	0.10	"
R-7	500,000	"	C-7	0.0005	"
R-8	500,000	"	C-8	0.10	"
R-9	700	"	C-9	0.25	"
R-10	500	"	C-10	0.25	"
R-11	2,000	"	C-11	0.25	"

C-12	0.01	mfd
C-13	0.25	"
C-14	0.10	"
C-15	0.01	"
C-16	0.001	"
C-17	0.10	"

MODEL 400 CHASSIS and MODEL G-26-C SPEAKER

1 - With the volume control in maximum volume position and the gang condenser completely out of mesh, supply a 456 K.C. signal to the grid of the modulator tube and adjust the 4 I.F. tuning condensers for maximum sensitivity.

ALIGNMENT PROCEDURE

2 - With the gang condenser and volume control in the same position, supply a 1730 K.C. signal to the input of the receiver and align the 2 R.F. trimmer condensers for maximum sensitivity.