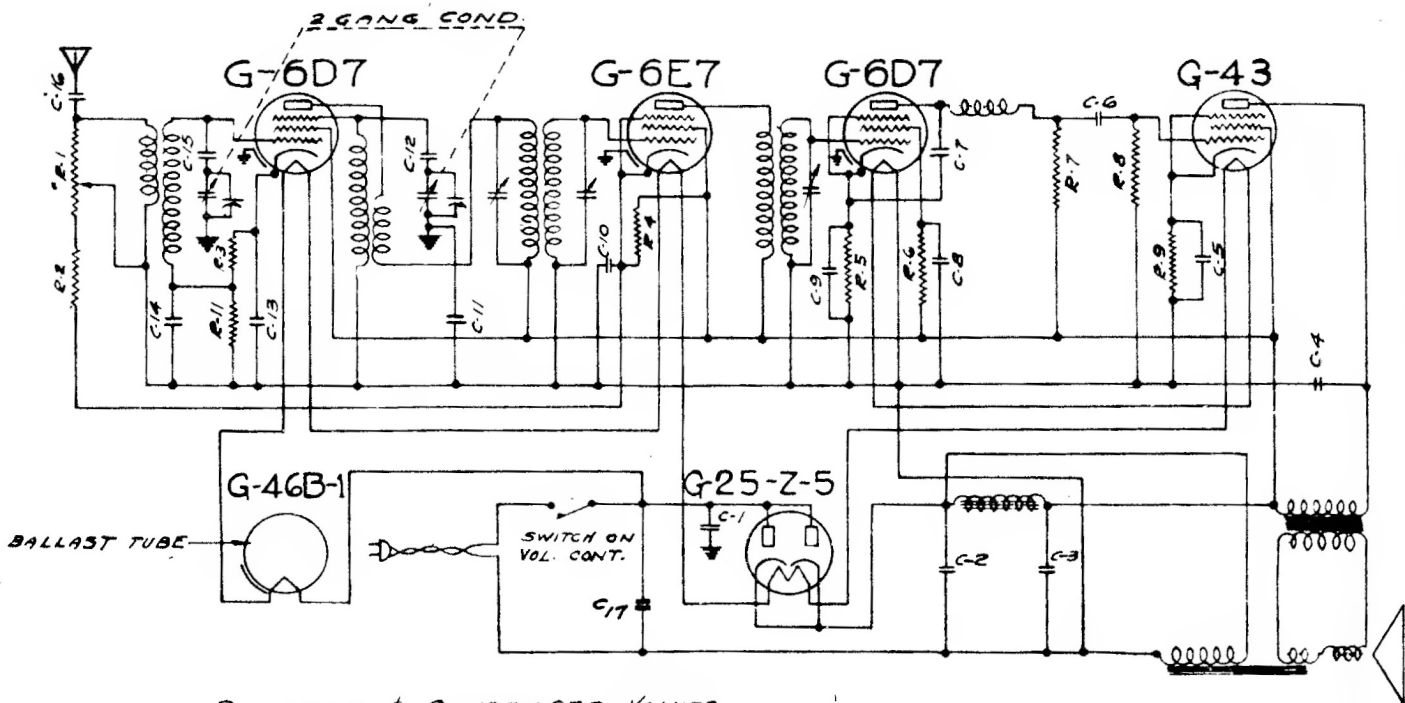


SCHEMATIC DIAGRAM OF MAJESTIC SCREEN GRID A.C.-D.C. SUPERHETERODYNE RECEIVER MODEL - 400-A



RESISTOR & CONDENSER VALUES

R-1	20,000	OHMS-V.C.	C-1	0.01	MFD
R-2	250	"	C-2	16	"
R-3	160	"	C-3	8	"
R-4	60,000	"	C-4	0.01	"
R-5	50,000	"	C-5	10	"
R-6	1,000,000	"	C-6	0.10	"
R-7	500,000	"	C-7	0.0005	"
R-8	500,000	"	C-8	0.10	"
R-9	700	"	C-9	0.25	"
R-10		"	C-10	0.25	"
R-11	2500	"	C-11	0.25	"
			C-12	0.01	"
			C-13	0.25	"
			C-14	0.10	"
			C-15	0.01	"
			C-16	0.001	"
			C-17	0.10	"

I.F. 456 KC.

The circuit of the Model 400-A chassis is practically the same as that of the Model 400. The main differences being that the types G-6D7 and G-6E7 tubes are used in place of types G-57A-S and G-58A-S respectively; and that a type G-46A-1 tube is used as a ballast in place of the G-46B-1.

Resistors R-3 and R-11 have a value of 160 and 2500 ohms respectively in the Model 400-A chassis while they have a value of 250 and 200 ohms in the Model 400 chassis. Resistor R-10 is omitted entirely.