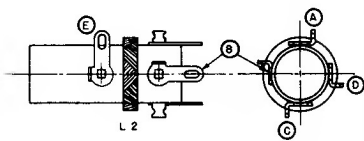
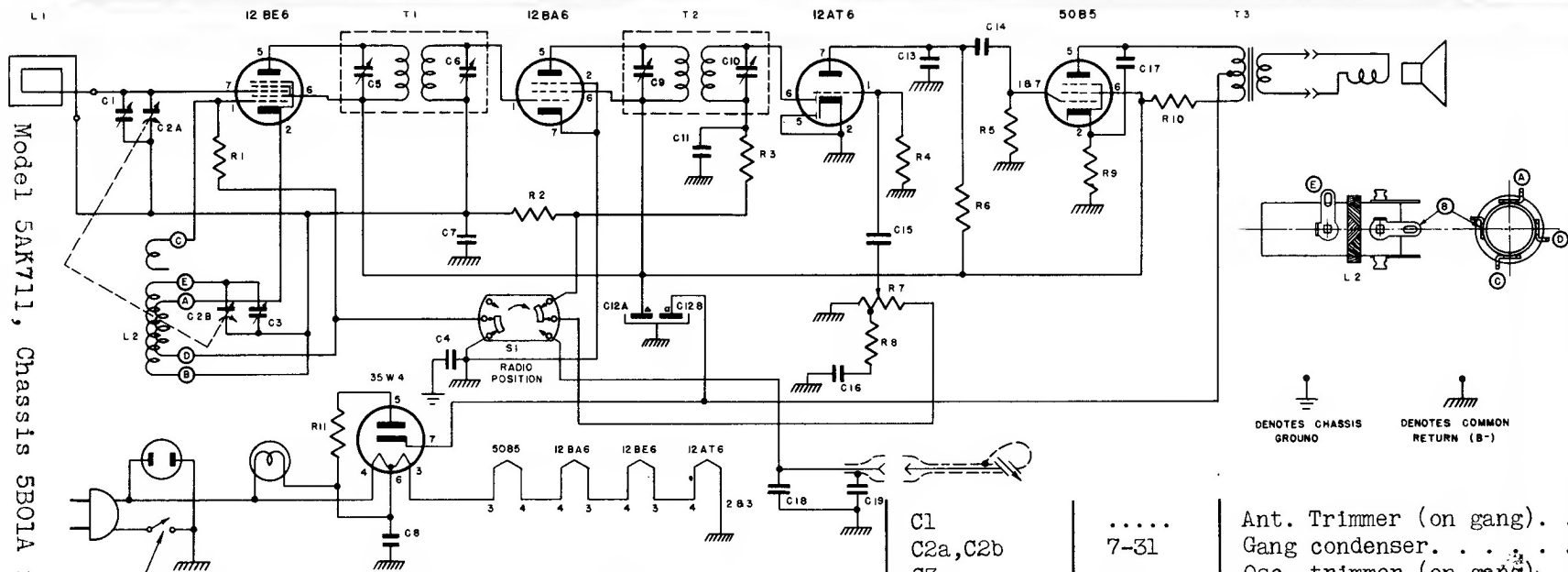


Model 5AK711, Chassis 5B01A is similar, but less phono.

MODELS 5AK731-5AK780
CHASSIS 5B05A

Majestic



⏏ DENOTES CHASSIS GROUND
⏏ DENOTES COMMON RETURN (B-)

TUBE	ELEMENT	PIN	VOLTS
12BE6 Converter	Plate	5	88
	Screen Grid	6	88
	Grid	7	0.6
12BA6 I.F. Amp.	Plate	5	88
	Screen Grid	6	88
12AT6 2nd Det., AVC	Plate	7	38
	Grid	1	-0.6
50B5 Output	Plate	5	107
	Screen Grid	6	88
	Cathode	2	4.9
35W4 Rectifier	Plate	5	117AC
	Cathode	7	115

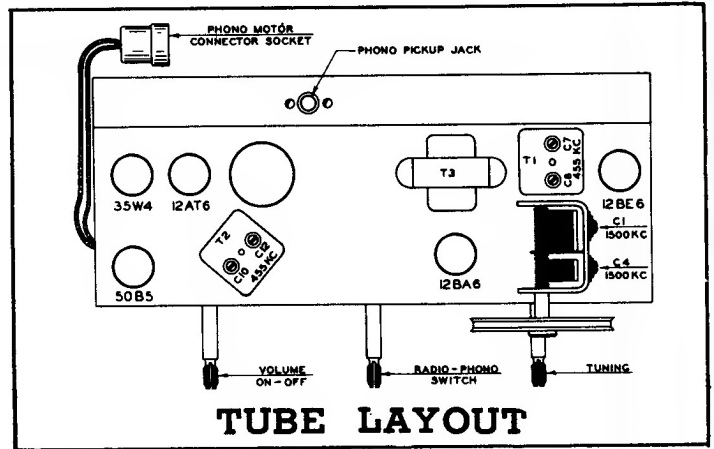
NOTE: All voltages measured with a vacuum tube voltmeter to B--.
A full line voltage of 117 V.A.C.,
volume control at minimum

- | | | |
|-------------|--------|-----------------------------|
| C1 | | Ant. Trimmer (on gang) . . |
| C2a,C2b | 7-31 | Gang condenser. |
| C3 | | Osc. trimmer (on gang) . . |
| C4 | 5-39 | 0.1 mfd. 200V |
| C5,C6 | | On 1st I.F. Transformer . . |
| C7,C8,C19 | 5-40 | .05 mfd. 200V |
| C9,C10 | | On 2nd I.F. Transformer . . |
| C11,C13,C18 | 6-151 | 220 mmf. 500V mica. . . . |
| C12a,C12b | 19-25 | 20 mfd. 40 mfd. 150V Elec |
| C14,C16 | 5-57 | .01 mfd. 200V |
| C15 | 5-52 | .002 mfd. 200V. |
| C17 | 5-58 | .04 mfd. 400V |
| R1,R3 | 01-143 | 22K ohm, 1/4 watt |
| R2 | 01-234 | 3.3 megohm, 1/4 watt. . . |
| R4 | 01-255 | 10 megohm, 1/4 watt . . . |
| R5 | 01-199 | 470K ohm, 1/4 watt. . . . |
| R6 | 02-192 | 330K ohm, 1/2 watt. . . . |
| R7 | 13-28 | 500K ohm volume control . |
| R8 | 01-139 | 18K ohm, 1/4 watt |
| R9 | 03-52 | 150 ohm, 1 watt |
| R10 | 03-90 | 1200 ohm, 1 watt. |
| R11 | 01-20 | 27 ohm, 1/4 watt. |
| L1 | S-1354 | Loop Assembly |
| L2 | S-1374 | Oscillator coil |

Majestic

Models 5AK731, 5AK780

Chassis 5B05A



ALIGNMENT

Before aligning, set the dial pointer as follows: Close the tuning gang condenser (plates fully closed). Set the dial pointer so that it is in line with the last mark at the low frequency end of the dial scale.

While aligning this receiver, turn the volume control full on, and keep the signal generator output as low as possible to prevent AVC action and false readings.

OPERATION	CONNECT OSC. TO	DUMMY ANTENNA	INPUT SIGNAL FREQUENCY	SET DIAL TO	ADJ. TRIMMERS	PURPOSE
1	Pin 7 on converter tube I2BE6 socket	.05mfd	455KC Modulated	600KC	C5, C6, C9 and C10	Align I.F. channel for maximum output
2	2 turns loosely cpld. to loop ant.	-----	1500KC Modulated	1500KC	C3	Set oscillator to dial scale
3	2 turns loosely cpld. to loop ant.	-----	1500KC Modulated	1500KC	C1	Align ant. for maximum output

