

CHASSIS 70 and 70-B

Models 71 and 72

TUBES

R. F.	G-26	1st A. F.	G-26
R. F.	G-26	P. P. Ampl.	G-71-A
R. F.	G-26	P. P. Ampl.	G-71-A
Det.	G-27	G-80 Rect.	Power Unit

THE CIRCUIT

Tuned Radio Frequency. Built upon unit assembly plan.

Chassis. Has the 3 A.F. transformers, the volume control and input circuit, sockets, balancing condensers and by-pass condensers.

Tuning Condenser. 4 gang variable condenser, dial lamp and dial.

R.F. Transformers. Entirely Contained in shield, with leads that connect to various parts.

Terminal Strip. Includes power cable, grid condenser, grid leak, detector plate R.F. by-pass condenser, 2 center tapped resistances and 2 bias resistance units.

Wiring Cable. Accomplishes the internal wiring of receiver.

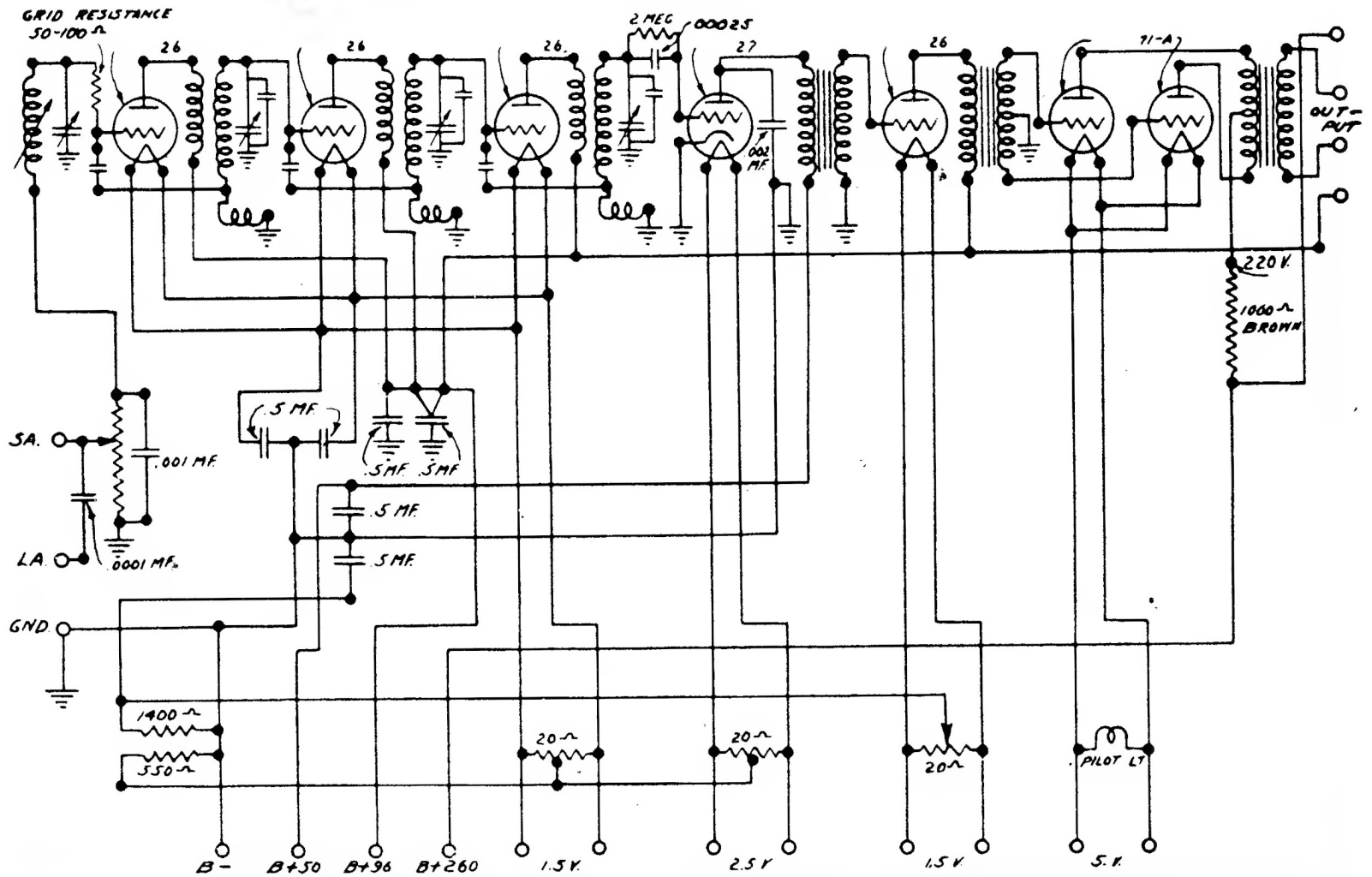
INPUT SYSTEM AND VOLUME CONTROL

The volume control is effected in the input circuit, making a smooth control due to the fact that R.F. amplifiers are functioning at maximum efficiency at any degree of volume. A potentiometer is placed across the .001 condenser with the movable arm attached to the antenna and controls signal voltage impressed across this condenser.

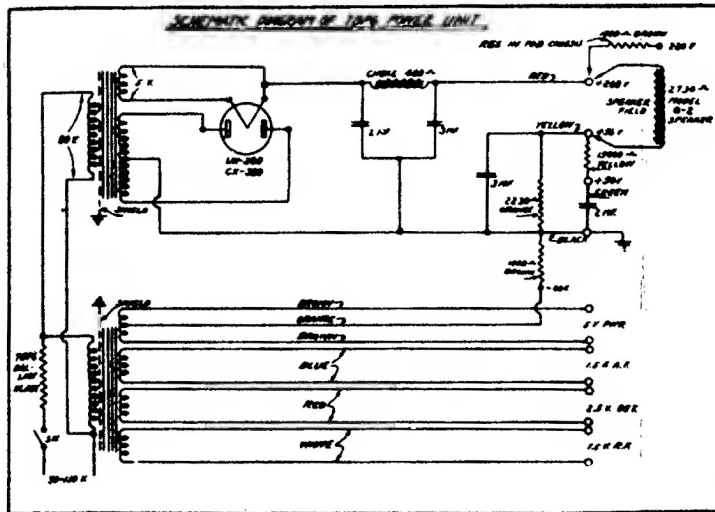
SELECTIVITY CONTROL

Integral with the input system is the antenna trimmer, which operates to vary the inductance of the antenna input coil and permits adjusting the input circuit to exact resonance with the other 3 tuned circuits.

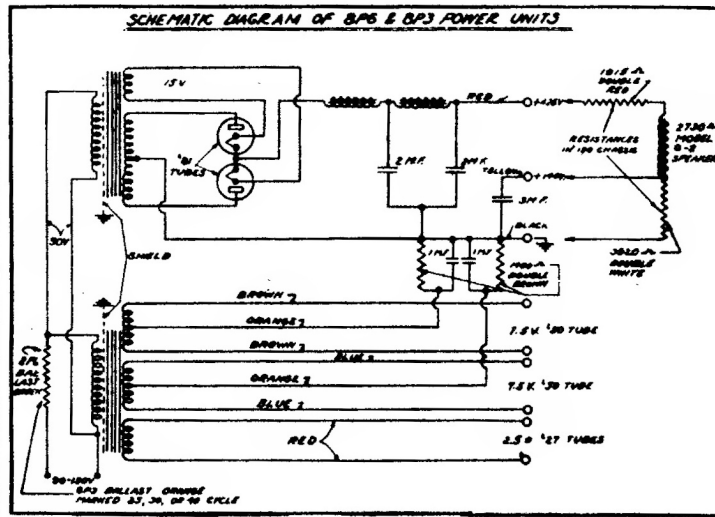
SCHEMATIC DIAGRAM FOR MODEL 70B MAJESTIC RECEIVER



Power Pack 7-BP-6 and 7-BP-3 Models 71 and 72—Chassis 70-B



Power Pack 8-P-6 and 8-P-3 Model 181—Chassis 180



Power Pack 7-P-6 and 7-P Models 71 and 72—Chassis 70

