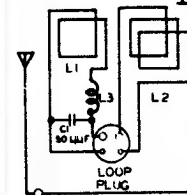


	Plate	Screen	Grid
6SA7	240-265	85-98	0
6SK7	282-296	106-122	2.1 - 2.5
6SQ7	72-84	-	0
6J5 (Ph. Inv.)	208-220	-	6.0 - 7.5
6K6 (Out)	270-280	280-285	22.5 - 24

All voltages measured to ground with 1,000 ohm per volt meter.

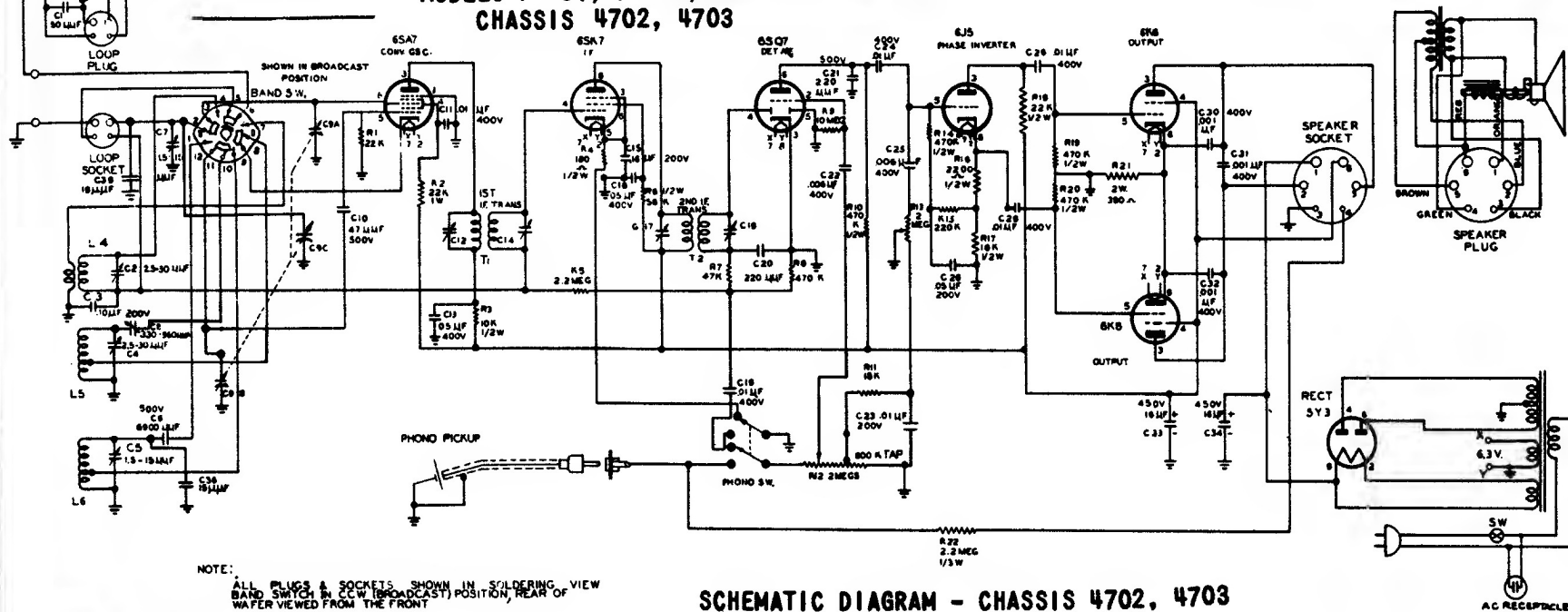
Step	Dummy Antenna	Test Oscillator Connection	Test Oscillator Frequency	Receiver Bandswitch	Receiver Dial	Adjust for Maximum
1	.01 mfd	6SA7 grid	455 kc	B.C.	Any quiet spot	C18,C17 C14,C12
2	Loop	-	1500 kc	B.C.	150	C4,C7
3	Loop	-	600 kc	B.C.	60	C8
4	400 ohms	Receiver antenna post	17 mc	S.W.	17	C2,C5

Note #1 - Rock gang while making this adjustment.



Majestic

MODELS 7S433, 7S450, 7S470
CHASSIS 4702, 4703



NOTE: