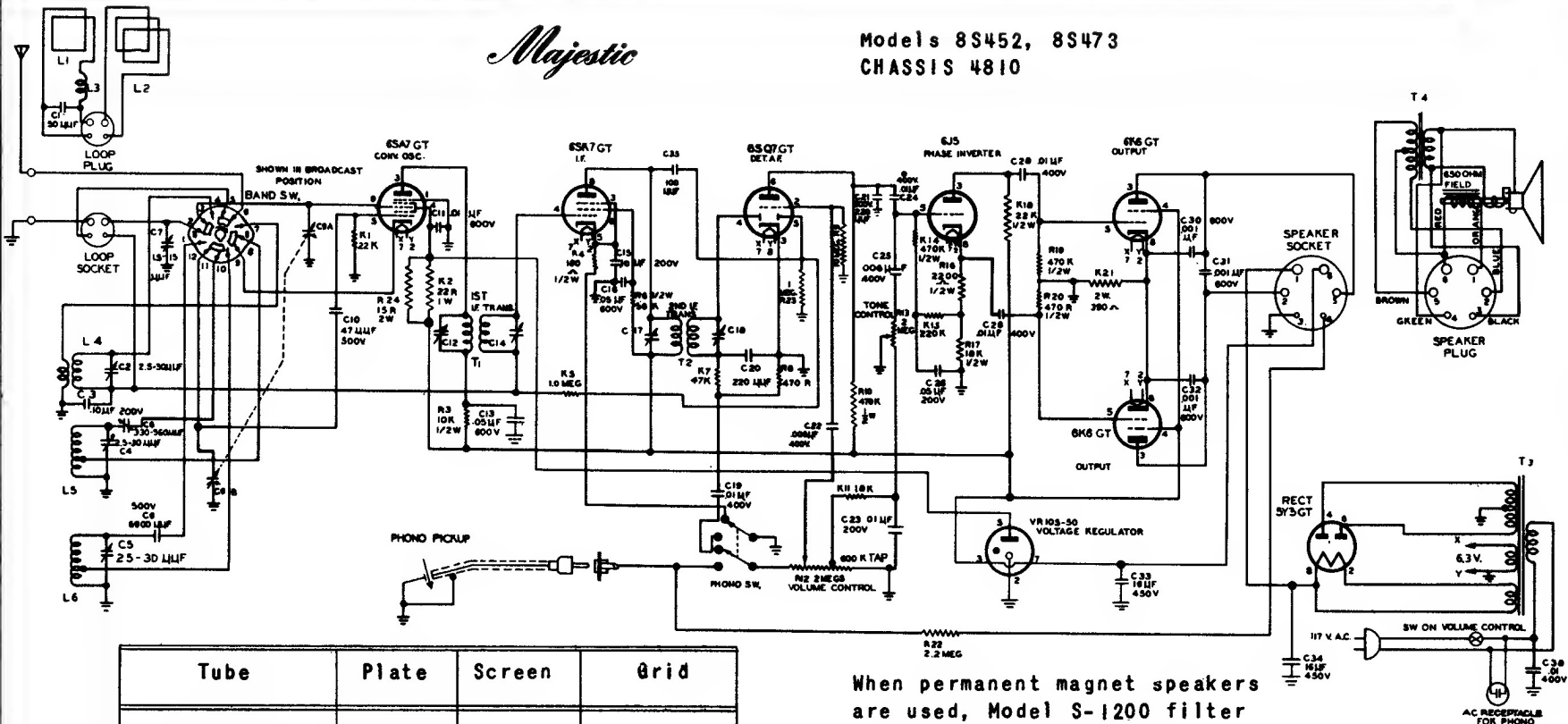


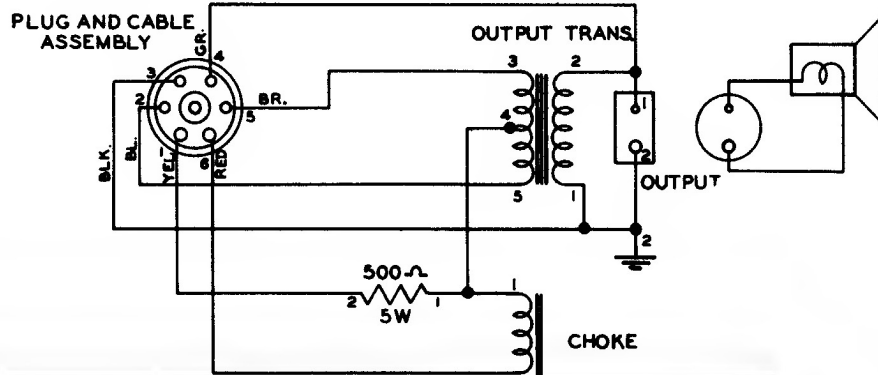
# Majestic

Models 8S452, 8S473  
CHASSIS 4810



Tube	Plate	Screen	Grid
6SA7 (Conv)	240-265	105	0
6SK7 (I. F.)	282-296	106-122	2.1 - 2.5
6SQ7 (A. F.)	72-84	-	0
6J5 (Ph. Inv.)	208-220	-	6.0 - 7.5
6K6 (Out)	270-280	280-285	22.5 - 24
VR-105	105	-	-

NOTE: All voltages measured to ground with 1,000 ohm per volt meter.



## ALIGNMENT

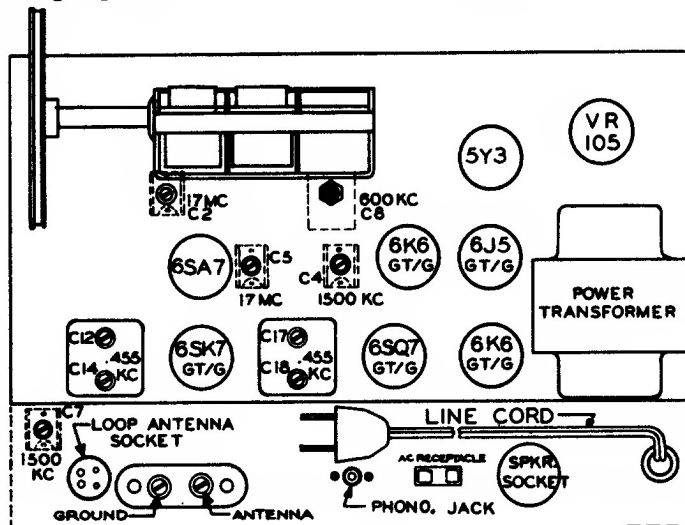
Before aligning, close tuning condenser (plates fully meshed). Set pointer to center of extreme left hand mark on the dial.

When aligning broadcast band, connect to output of the signal generator a loop, about 12 inches in diameter, consisting of two or three turns of wire. Place this loop in a plane parallel to that of the receiver loop antenna and about a foot away from it. The receiver loop antenna should be in about the same position relative to the chassis as it is when installed in the cabinet.

While aligning, turn the volume control full on and keep the signal generator output as low as possible.

Step	Dummy Antenna	Test Oscillator Connection	Test Oscillator Frequency	Receiver Bandswitch	Receiver Dial	Adjust for Maximum	Notes
1	.01 mfd	6SA7 grid	455 kc	B. C.	Any quiet spot	C18, C17 C14, C12	
2	Loop	-	1500 kc	B. C.	150	C4, C7	
3	Loop	-	600 kc	B. C.	60	C8	Note #1
4	400 ohms	Receiver antenna post	17 mc	S. W.	17	C2, C5	

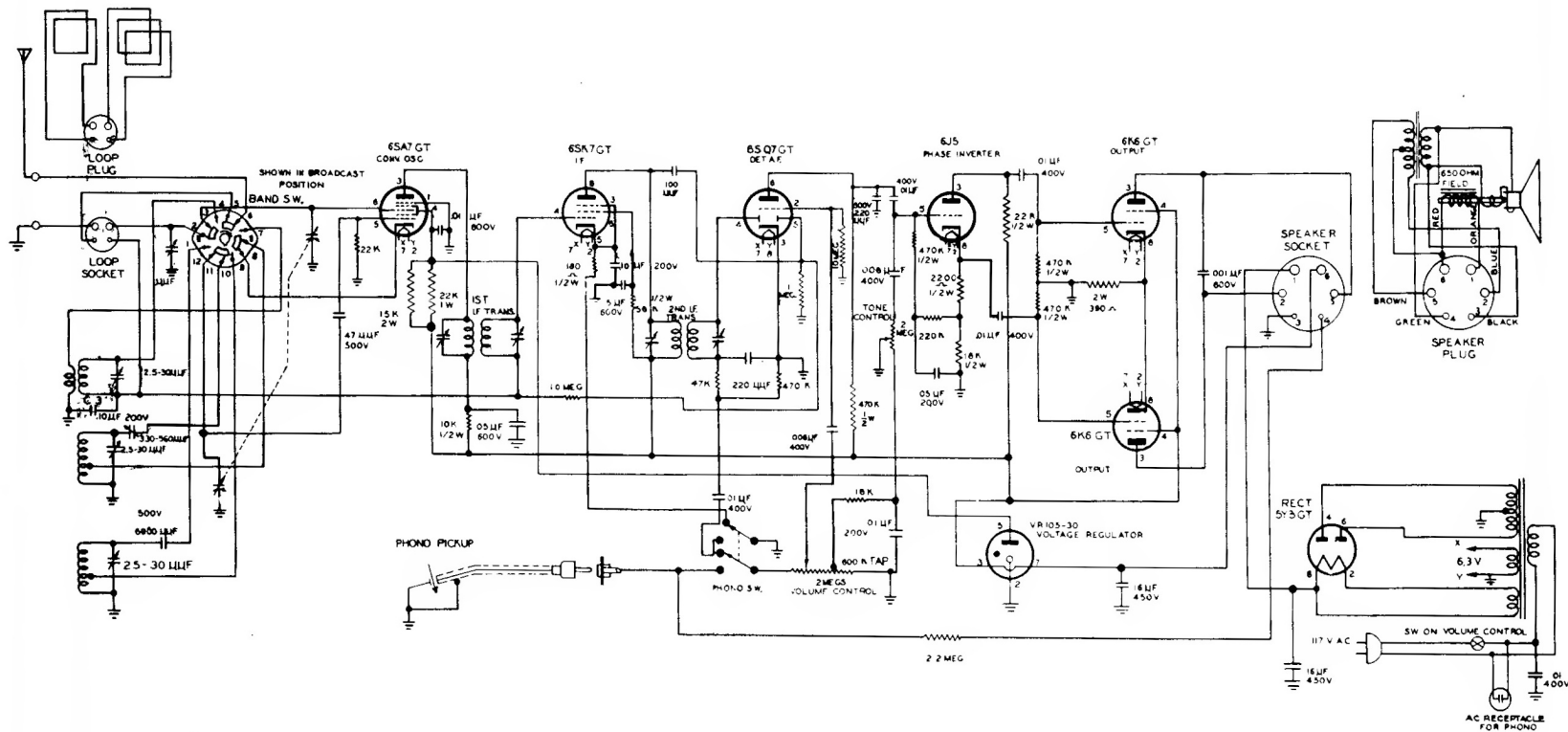
Note #1 - Rock gang while making this adjustment. Then recheck step 2.



TUBE LAYOUT

*Majestic*

MODEL 8S473  
CHASSIS 4810



I. F. 455 KC.

SCHMATIC DIAGRAM - CHASSIS 4810  
(LATE PRODUCTION - SERIAL NUMBERS HIGHER THAN A235000)