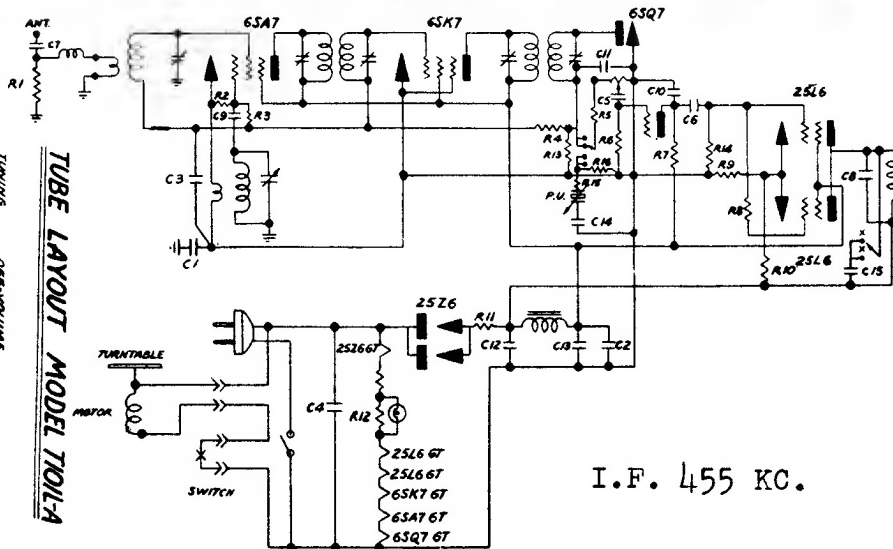


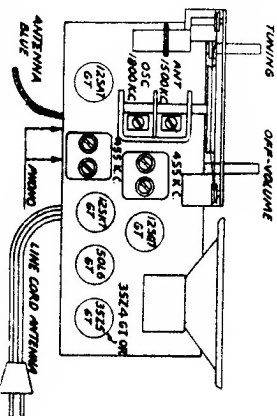
Schematic Location	Part No.	Description
R1	R-15510	20K ohm 1/4 Watt Resistor 20%
R2,R5	R-63	10 Megohm 1/4 Watt Resistor 20%
R3	R-15500	2 Megohm 1/4 Watt Resistor 20%
R4	R-15504	150K ohm 1/4 Watt Resistor 20%
R6,R7	R-15520	500K ohm 1/4 Watt Resistor 20%
R8	R-59	110 ohm 1/4 Watt Resistor 20%
R9	R-138	110 ohm 1/4 Watt Resistor 10%
R10	R-150	1000 ohm 1 Watt Resistor 20%
R11	R-65	35 ohm 1 Watt Resistor 20%
R12	R-145	9K ohm 1/2 Watt Resistor 10%
R13	R-15512	250K ohm 1/4 Watt Resistor 20%
C1	C-15754	.01 mfd. 400 Volt Condenser
C2	CM-29	50 mmfd. Mica Condenser
C3	C-15752	.05 mfd. 200 Volt Condenser
C4	C-15770	.2 mfd. 200 Volt Condenser
C5	C-15756	.05 mfd. 400 Volt Condenser
C6	CM-30	250 mmfd. Mica Condenser
C7	CM-37	500 mmfd. Mica Condenser
C8	C-15774	.002 mfd. 400 Volt Condenser
C9	C-47	.004 mfd. 400 Volt Condenser
C10	C-25	.006 mfd. 400 Volt Condenser
C11,C12	Y-CE-66-1	40 mfd. & 75 mfd. Electr. Cond.

Majestic

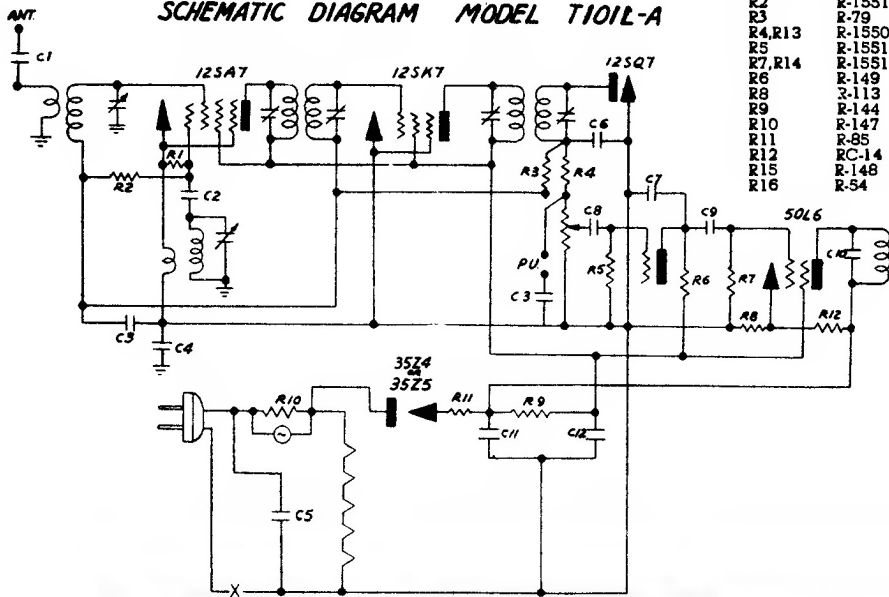
SCHEMATIC DIAGRAM MODEL TP221-A TP231-A



I.F. 455 KC.



SCHEMATIC DIAGRAM MODEL T101-A



Schematic Location	Part No.	Description
R1	R-15570	2000 ohm 1/4 Watt Resistor
R2	R-15510	20K ohm 1/4 Watt Resistor
R3	R-79	15 Megohm 1/4 Watt Resistor
R4,R13	R-15500	2 Megohm 1/4 Watt Resistor
R5	R-15515	100K ohm 1/4 Watt Resistor
R7,R14	R-15512	250K ohm 1/4 Watt Resistor
R6	R-149	4.7 Megohm 1/4 Watt Resistor
R8	3-113	100 ohm 1/4 Watt Resistor
R9	R-144	70 ohm 1/4 Watt Resistor
R10	R-147	4K ohm 3 Watt Resistor
R11	R-65	35 ohm 1 Watt Resistor
R12	EC-14	Candohm
R15	R-148	300K ohm 1/4 Watt Resistor
R16	R-54	50K ohm 1/4 Watt Resistor

Schematic Location	Part No.	Description
C1	C-15770	.20 mfd. 200 Volt Condenser
C2	C-15751	.25 mfd. 200 Volt Condenser
C3,C14	C-15752	.05 mfd. 200 Volt Condenser
C4,C15	C-15766	.05 mfd. 400 Volt Condenser
C5,C6,C7	C-15754	.01 mfd. 400 Volt Condenser
C8	C-25	.006 mfd. 400 Volt Condenser
C9	CM-29	50 mmfd. Mica Condenser
C10,C11	CM-30	250 mmfd. Mica Condenser
C12	CE-66	75 mfd 150 Volt Electrolytic
C13	CE-66	40 mfd. 150 Volt Electrolytic

