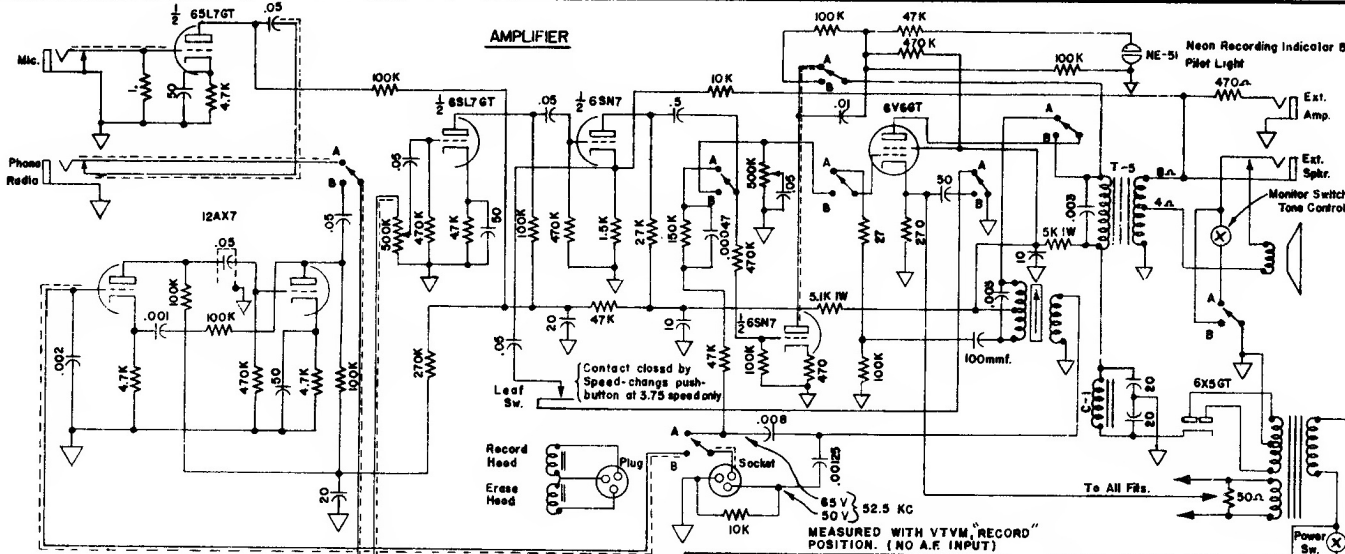


# MASCO

MASCO Tape Recorders  
Models 52, 52C, 52CR,  
52L, 52LR, and 52R.



TAPE RECORDER RADIO TUNER

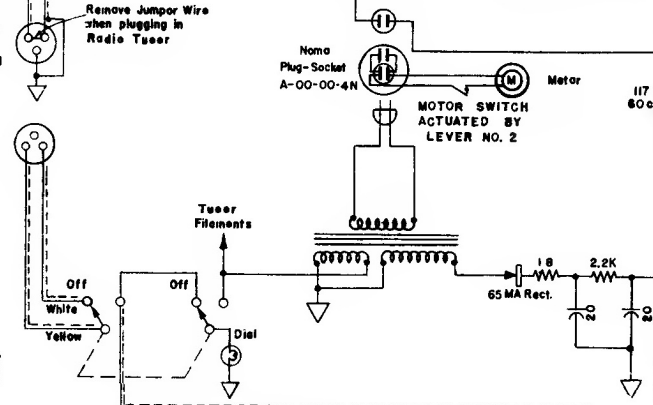
Voltage Measurements			
TUBE	6BA6	6BE6	6SF7
PIN # 1	-0.85VDC	-2VDC	—
2	0	0	-0.85VDC
3	0	0	0.6VDC
4	6.3VAC	6.3VAC	107VDC
5	94VDC	94VDC	-0.95VDC
6	102VDC	60VDC	90VDC
7	0.3VDC	0	6.3VAC
8	—	—	0

All voltages to ground, measured with 20,000 ohm/volt meter

RECORD-PLAYBACK SWITCH:  
A- Record Position  
B- Playback Position  
(Actuated by "Press to Record" pushbutton)

Remove Jumper Wire when plugging in Radio Tuner

UNLESS OTHERWISE SPECIFIED:  
All Resistors in Ohms (1/2 Watt)  
All Capacitors in Microfarads



RADIO TUNER

TAPE RECORDER AMPLIFIER

	SOCKET PIN VOLTAGES*								
	1	2	3	4	5	6	7	8	9
12AX7	73 V.	0	0.25 V.	10.5V. DC 5.4V. AC <sup>x</sup>	10.5V. DC 5.4V. AC <sup>x</sup>	73 V.	0	0.35 V.	10.5V. DC
6SL7GT	0	102 V.	1.6V.	0	110 V.	1.7V.	10.5V. DC 6.3V. AC <sup>x</sup>	10.5V. DC 6.3V. AC <sup>x</sup>	—
6SN7GT	0	0 Playback 270V. Record	0 Playback 6.3V. Record	0	105 V.	4V.	10.5V. DC 6.3V. AC <sup>x</sup>	10.5V. DC 6.3V. AC <sup>x</sup>	—
6V6GT	—	10.5 V. DC 6.3V. AC <sup>x</sup>	260V. Play. 275V. Record	215V.	0 Playback -38V. Record	—	10.5V. DC 6.3V. AC <sup>x</sup>	10.5V. Play. 100V. Record	—
6X5GT	260V.	10.5V. DC 6.3V. AC	220 VAC	—	220V. AC	—	10.5V. DC 6.3V. AC	295V.	—

\* All voltages to ground, measured with a 20,000 ohm per volt meter  
x Filament voltages measured between pins marked "X"

	SOCKET PIN RESISTANCES <sup>Δ</sup>								
	1	2	3	4	5	6	7	8	9
12AX7	150K	See Warning!	5.1K	300	300	150K	470K	4.7K	300
6SL7GT	470K	150K	4.7K	0	140K	4.7K	300	300	—
6SN7GT	90K	—	470	470K	75K	1.5K	300	300	—
6V6GT	—	300	42K	40K	270K	—	300	270	—
6X5GT	40K	300	200	—	200	—	300	40K	—

<sup>Δ</sup> All resistances measured to ground in Playback position.  
WARNING: Do not test at this point with ohmmeter. Do not test head with ohmmeter. (D.C. current will magnetize core.)