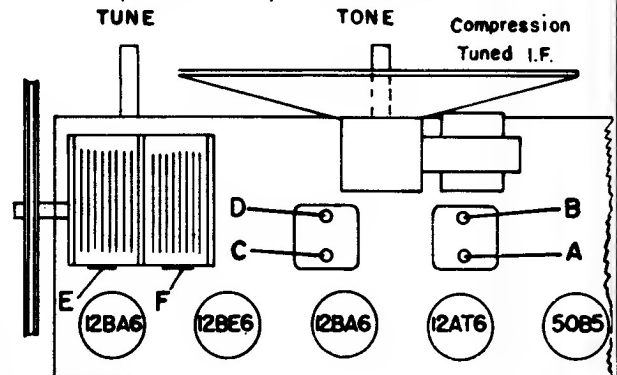
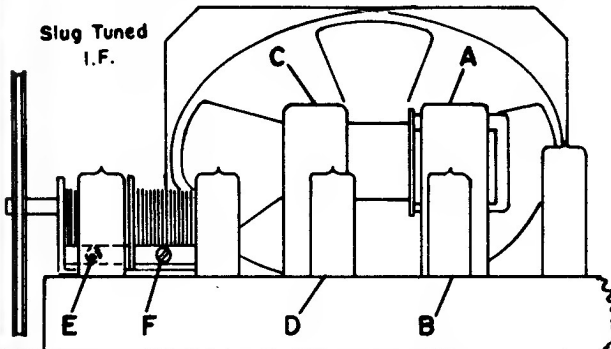


JOHN MECK INDUSTRIES, Inc.

MODEL 6A7

SYMBOL	PART NO.	DESCRIPTION	SYMBOL	PART NO.	DESCRIPTION
C1	CV-10009	Condenser, Variable with Pulley.	R4	VC-11105	Control, Volume 1 megohm with switch.
C2	CP-14503	Condenser, Paper .05 Mfd. 400 volts.	R5	RC-31005	Resistor, Carbon 10 megohm 1/2 watt.
C3	CH-15250	Condenser, Mica 25 mmf. 500 volts.	R6	RC-32203	Resistor, Carbon 220,000 ohm 1/2 watt.
C4	CP-12503	Condenser, Paper .05 Mfd. 200 volts.	R7	VC-13105	Control, Tone 1 megohm.
C5	CH-15500	Condenser, Mica 50 mmf. 500 volts.	R8, R12	RC-34703	Resistor, Carbon 470,000 ohm 1/2 watt.
C6-C7	CH-15251	Condenser, Mica 250 mmf. 500 volts.	R9, R14	RC-31500	Resistor, Carbon 150 ohm 1/2 watt.
C8, C11	CP-14103	Condenser, Paper .01 mfd. 400 volts.	R10	RC-41001	Resistor, Carbon 1000 ohm 1 watt.
C10	CP-14203	Condenser, Paper .02 mfd. 400 volts.	R11	RC-31003	Resistor, Carbon 100,000 ohm 1/2 watt.
C12	CP-14302	Condenser, Paper .003 mfd. 400 volts.	R13	RC-30220	Resistor, Carbon 22 ohm 1/2 watt.
C13	CL-10007	Condenser, Electrol. 50/30 mfd. 150	R15	RC-33300	Resistor, Carbon 330 ohm 1/2 watt.
L1	AL-10010	Loop Antenna.	SPKR	SO-10002	Speaker, Oval 4 x 6.
L2	TRC-10000D	Coil, Oscillator	T1	TS-10000	Transformer, I. F. Input.
R1	RC-34701	Resistor, Carbon 4700 ohm 1/2 watt.	T2	TS-10001	Transformer, I. F. Output.
R2	RC-32202	Resistor, Carbon 22000 ohm 1/2 watt.	T3	TO-10000	Transformer, Output.
R3	RC-32204	Resistor, Carbon 2.2 megohm 1/2 watt.			



Signal Generator Coupling	Signal Generator Frequency	Gang Condenser Position	Output Meter	Adjust	Remarks
High side of Mixer tube Grid (12BE6)	455 Kc	Stator Turned out to minimum Capacity position	Across Voice Coil	A, B, C, D	Adjust for maximum output. If isolation transformer is not used, reduce dummy ant. to .001 MFD. to reduce hum modulation.
Loop	1720 Kc	Stator Turned out to minimum Capacity position	Across Voice coil	E	Fashion loop from few turns of wire and radiate signal into set. Adjust for maximum output.
Loop	1500 Kc	Tune gang to resonance	Across Voice coil	F	Fashion loop from few turns of wire and radiate signal into set. Adjust for maximum output.