

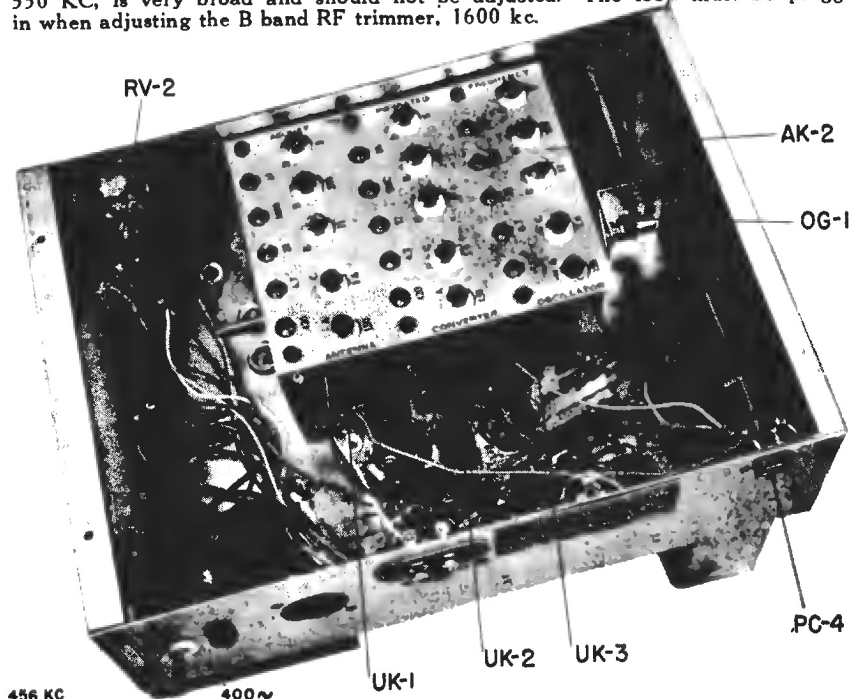
MIDWEST SERIES 8 SUPER AM RADIO RECEIVER

1947 Models — S-8, ST-8, TM-8 and other
 Midwest Models using STM-8 Chassis

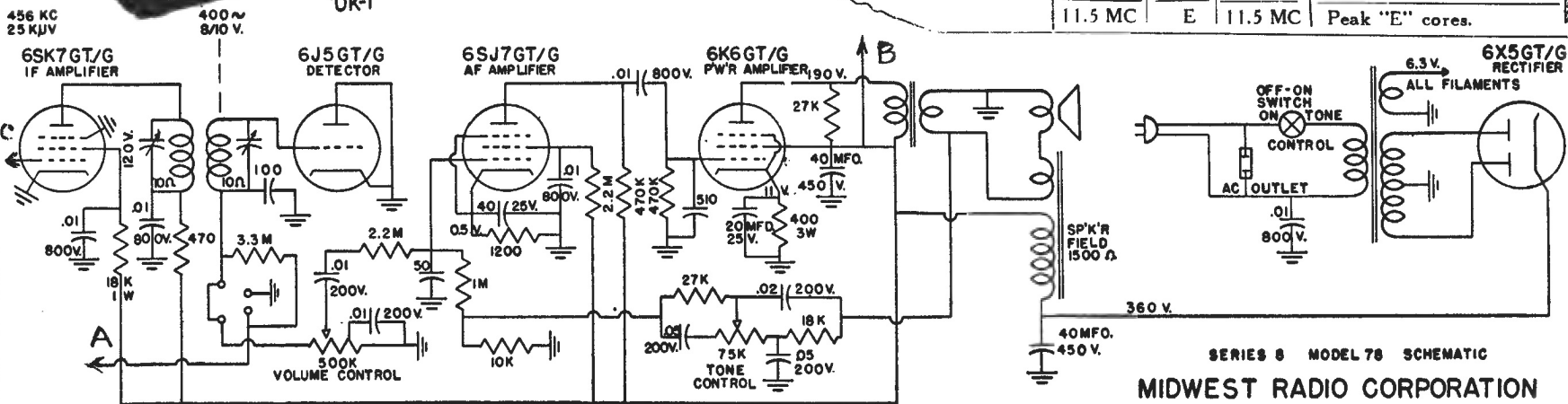
Balance of circuit is on the next page. Points marked A, B, and C, connect to corresponding points. Where applicable, notes apply to both parts of the schematic.

R. F. alignment should be made in the usual manner. There is no inter-action between bands. The only precaution is that a dummy antenna be used between the generator and the antenna post on the receiver. This may be simply a 200 micro micro farad condenser in series with a 400 ohm resistor. The B band RF padder, 550 KC, is very broad and should not be adjusted. The loop must be plugged in when adjusting the B band RF trimmer, 1600 kc.

ALIGNMENT — The schematic includes the various signal strengths necessary for standard output of 0.5 watt. The output indicator may be an audio frequency meter across the voice coil or a vacuum tube voltmeter at the avc. For 0.5 watt the voltage at the voice coil is 1.2 volts or 2.5 to 3.5 volts avc. if a 30% modulated signal is used. I.F. alignment should be made with band switch on "B," pointer tuned to 1000 kc. and signal to mixer grid through a .05 mfd. condenser. Trim both I.F. transformers for maximum reading.



Coupling	Signal	Band Switch	Dial	Adjustment
To converter grid thru .05 mfd capacitor	456 KC	B	1000 KC	Peak 1st and 2nd IF trimmers.
To "A" on antenna-ground terminal strip through 200 mmfd. and 400 ohms in series.	400 KC	A	400 KC	Peak RF, converter and oscillator trimmers marked "A".
	150 KC	A	150 KC	Peak RF, converter and oscillator cores marked "A".
	1600 KC	B	1600 KC	Peak "B" trimmers. Loop must be plugged in.
	550 KC	B	550 KC	Peak "B" cores except RF. Loop must be plugged in.
	4.7 MC	C	4.7 MC	Peak "C" trimmers.
	1.6 MC	C	1.6 MC	Peak "C" cores.
	10 MC	D	10 MC	Peak "D" trimmers.
	5 MC	D	5 MC	Peak "D" cores.
	22 MC	E	22 MC	Peak "E" trimmers.
	11.5 MC	E	11.5 MC	Peak "E" cores.



SERIES 8 MODEL 78 SCHEMATIC
MIDWEST RADIO CORPORATION