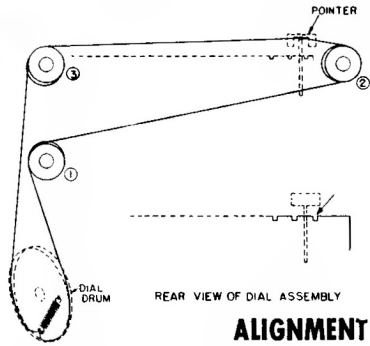
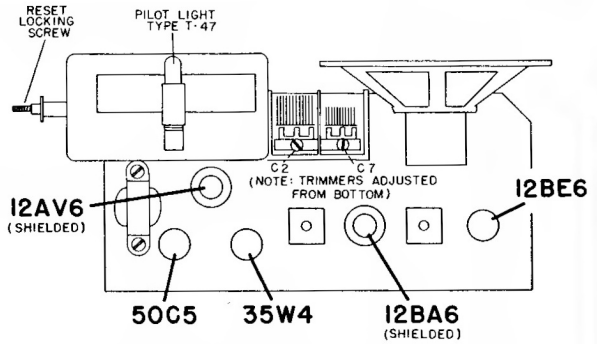


Montgomery Ward
MODELS 05BR-1536A, 1537A



Models with
 suffix "B"
 use 35Z5 in
 place of 35W4



CHASSIS VIEW, SHOWING TUBE LOCATIONS

ALIGNMENT PROCEDURE AND RECEIVER STAGE SENSITIVITIES

The signal source must be an accurately calibrated signal generator capable of supplying R. F. signals modulated 30% with a 400-cycle audio signal. A 400-cycle source is necessary for the audio measurement.

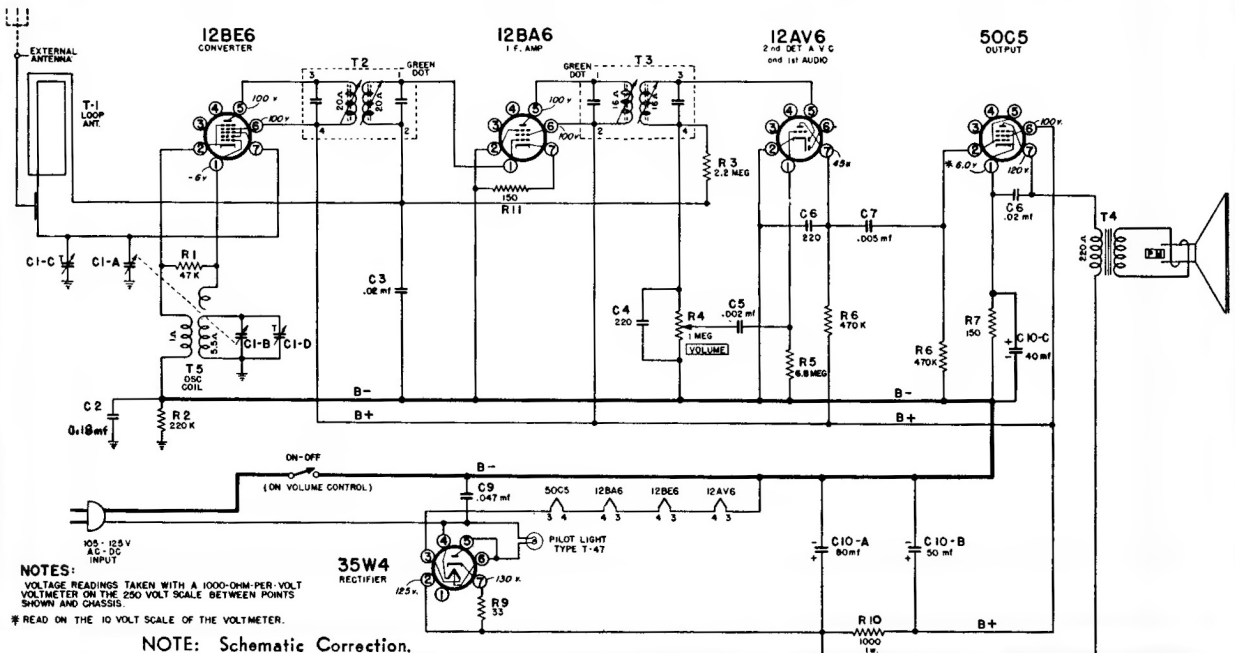
The table below lists the sensitivity at various points. All measurements are based on an output of 50-milliwatts. This may be measured by disconnecting the

speaker voice coil and substituting a 3.2-ohm, 5-watt resistor across the secondary winding of the output transformer. A reading of .4 volts AC across this resistor will be equivalent to a 50-milliwatt output with the speaker connected. Variations of plus or minus 25% are usually permissible. Volume control at maximum for all adjustments.

SIGNAL GENERATOR				TUNER SETTING	ADJUST FOR MAXIMUM OUTPUT	INPUT FOR 50-MILLIWATT OUTPUT
Frequency	Coupling Capacitor	Connection to Radio	Ground Connection			
455 kc.	.1 mf.	Pin No. 7 of 12BE6	Buss wire	Rotor full open	Trimmers on output and input I.F. cans	50 microvolts
1700 kc.	.1 mf.	Pin No. 7 of 12BE6	Buss wire	Rotor full open	Oscillator trimmer C7 (on top)	_____
1400 kc.	none	See note A	none	Set dial at 1400	Antenna trimmer C2 (on top)	_____
1400 kc.	.1 mf.	External antenna clip	Buss wire	1400 kc.	_____	50 microvolts
400 cycles	.1 mf.	12AV6, Pin 1	Buss wire	_____	_____	.03 volts

Note A: Lay output lead of generator in back of loop antenna.

Turn up generator output. Loop antenna will pick up energy.



NOTES:
 VOLTAGE READINGS TAKEN WITH A 1000-OHM-PER-VOLT
 VOLTMETER ON THE 250 VOLT SCALE BETWEEN POINTS
 SHOWN AND CHASSIS.
 * READ ON THE 10 VOLT SCALE OF THE VOLTMETER.

NOTE: Schematic Correction.

CB should be connected between Pin 7 of the 50C5 tube to B-