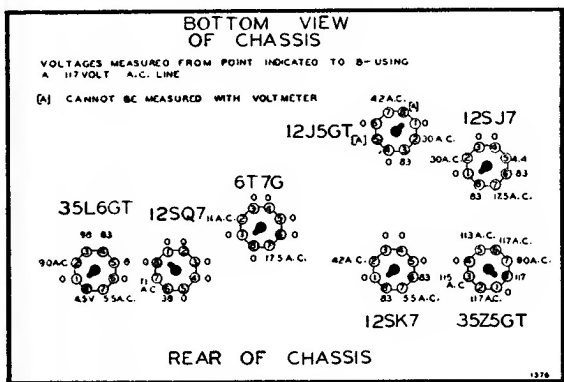


• Connect B—of radio chassis to ground post of signal generator through .1 Mfd. condenser.

BAND	Frequency Setting	Dummy Antenna	Connection to Radio	Position of Band Switch	Variable Condenser Setting	Trimmers Adjusted to Maximum
I. F.	455 Kc.	.1 MFD.	Grid of 12SK7 I. F.	Broadcast	Rotor full open (Plates out of mesh)	Two trimmers on top of Output I. F.
	455 Kc.	.1 MFD.	Grid of 12SJ7 Mixer	Broadcast	Rotor full open (Plates out of mesh)	Two trimmers on top of Input I. F.
SHORT WAVE BAND	12 Mc.	400 Ohms	External Antenna and B—	Short Wave	Set Dial at 12 Mc.	S.W. Osc. trimmer C10 S.W. Ant. trimmer C3
BROAD-CAST BAND	1600 Kc.	.1 mmf.	Grid of 12SJ7	Broadcast	Rotor full open (Plates out of mesh)	B.C. Osc. trimmer C12 on Gang
	1400 Kc.	200 mmf.	External Antenna and B—	Broadcast	Set Dial at 1400 K. C.	B.C. Ant. trimmer C6

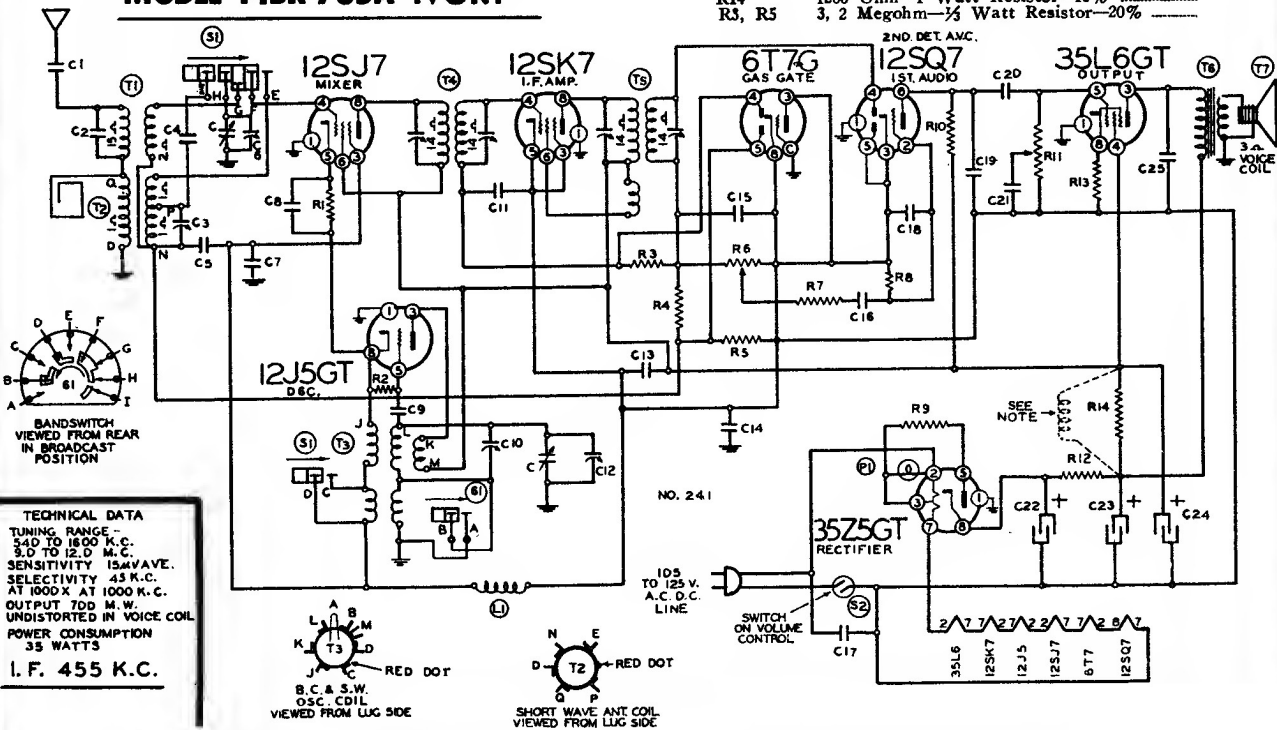
NOTE: The Oscillator Frequency is lower than the signal frequency and should be aligned accordingly.

The loop antenna should be connected to the radio when making all adjustments.



- C11 .05 x 200 Volt Tubular Condenser
- C16, C21 .006 x 600 Volt Tubular Condenser
- C13 .1 x 200 Volt Tubular Condenser
- C25, C20 .02 x 400 Volt Tubular Condenser
- C1 .003 x 600 Volt Tubular Condenser
- C7, C14 .1 x 400 Volt Tubular Condenser
- C8 .01 x 120 Volt Tubular Condenser
- C5 .05 x 120 Volt Tubular Condenser
- C17 .03 x 400 Volt Tubular Condenser
- C22, C23, C24 Electrolytic Filter Cond.—40 mfd.—20 mfd.—20 mfd. x 150 Volts
- C3, C10 S. W. Antenna and Oscillator Trimmer Condenser
- C9, C18 .0001 Mica Type Condenser—20%
- C15 .0002 Mica Type Condenser—20%
- C2 .00015 Mica Type Condenser—10%
- C4 .000445 Mica Type Condenser—3%
- C19 .00025 Mica Type Condenser
- R10 200M ohm—1/2 Watt Resistor—20%
- R2, R7 50M ohm—1/2 Watt Resistor—20%
- R4 2 Megohm—1/2 Watt Resistor—20%
- R12 200 Ohm—1/2 Watt Resistor—20%
- R9 20 Ohm—1/2 Watt Resistor—20%
- R13 150 Ohm—1/2 Watt Resistor—10%
- R1 5M Ohm—1/2 Watt Resistor—10%
- R8 5 Megohm—1/2 Watt Resistor—25%
- R14 1200 Ohm—1 Watt Resistor—10%
- R3, R5 3, 2 Megohm—1/2 Watt Resistor—20%

MODEL 14BR-734A BROWN
MODEL 14BR-735A IVORY



TECHNICAL DATA

TUNING RANGE—540 TO 1800 K.C.
3.0 TO 12.0 M.C.
SENSITIVITY 15mVAVE.
SELECTIVITY 45 K.C.
AT 1000 X AT 1000 K.C.
OUTPUT 700 M.W.
UNDISTORTED IN VOICE COIL
POWER CONSUMPTION 35 WATTS

I. F. 455 K.C.

