

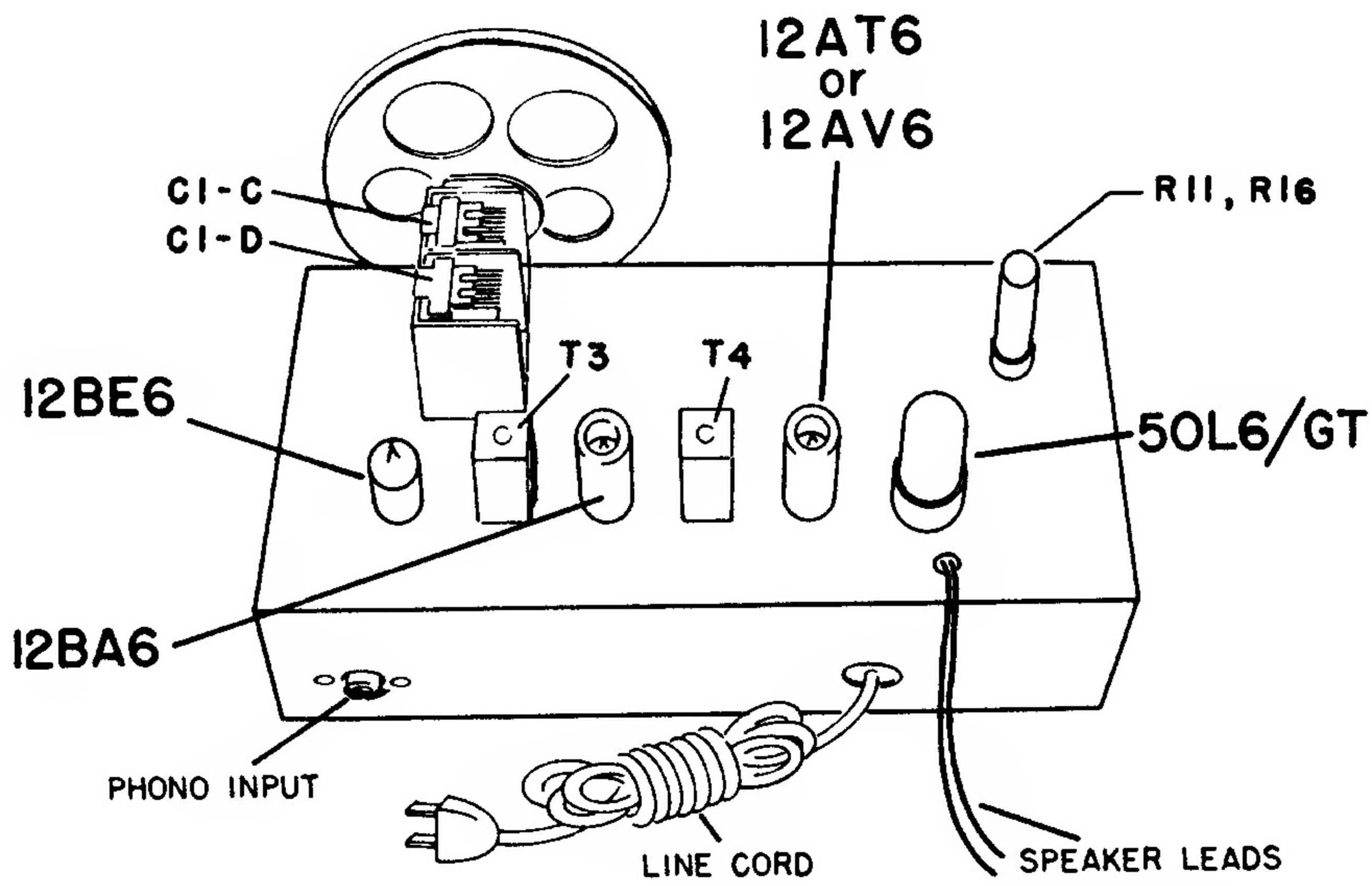
M O N T G O M E R Y

W A R D

TABLE RADIO

MODEL NO.

15BR-1547A



ALIGNMENT PROCEDURE AND RECEIVER STAGE SENSITIVITIES

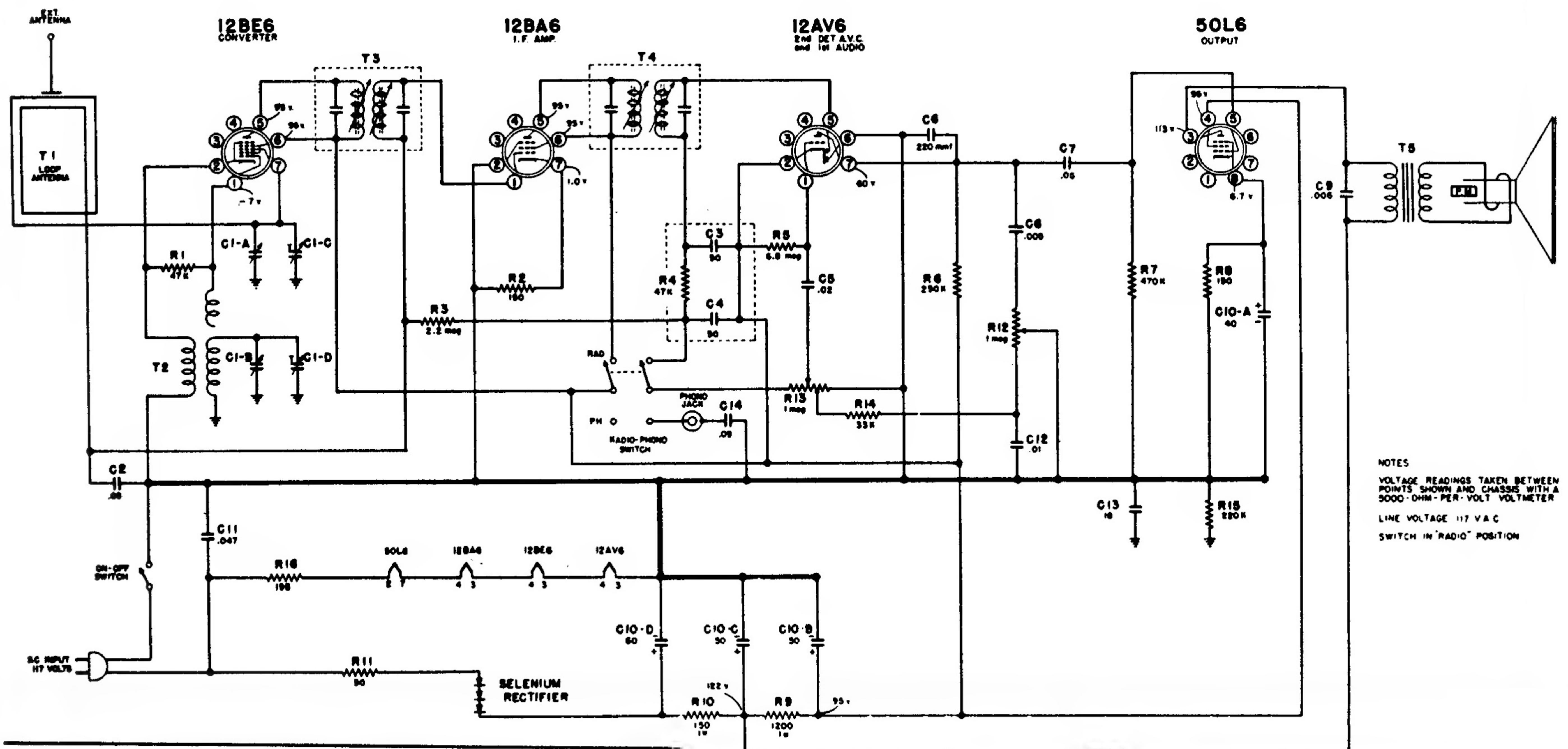
Alignment must be done in the cabinet.

The signal source must be an accurately calibrated signal generator capable of supplying 455 Kc and up to 1620 Kc signals modulated 30% with a 400-cycle audio signal.

To connect the output meter, disconnect the speaker and substitute a 3.2 ohm, 5 watt resistor across the secondary winding of the output transformer. Connect output meter across 3.2 ohm resistor.

- Volume control at maximum for all adjustments.
- Align for maximum output. Reduce input as needed to keep output near 0.4 volts.
- Loop antenna should be connected to receiver and in its proper position when making adjustments.

SIGNAL GENERATOR				TUNER SETTING	ADJUST FOR MAXIMUM OUTPUT
Frequency	Coupling Capacitor	Connection to Radio	Ground Connection		
455 kc.	.1 mf.	12BE6, Pin 7	B MINUS POINT BUSS LEAD	Capacitor fully open (plates out of mesh)	Top and bottom Cores in output and input I.F. cans
1620 kc.	.1 mf.	12BE6, Pin 7		Capacitor fully open (plates out of mesh)	Oscillator trimmer C1-D on gang
535 kc.	.1 mf.	12BE6, Pin 7		Capacitor fully closed	Check for adequate range
1400 kc.	—	Lay Generator lead near back of cabinet.		Set dial pointer at 1400 kc.	Antenna trimmer C1-C on gang



NOTES
VOLTAGE READINGS TAKEN BETWEEN POINTS SHOWN AND CHASSIS WITH A 5000-OHM PER-VOLT VOLTMETER
LINE VOLTAGE 117 V A C
SWITCH IN 'RADIO' POSITION

NOTE: Either a 12AT6 or a 12AV6 tube may be used.