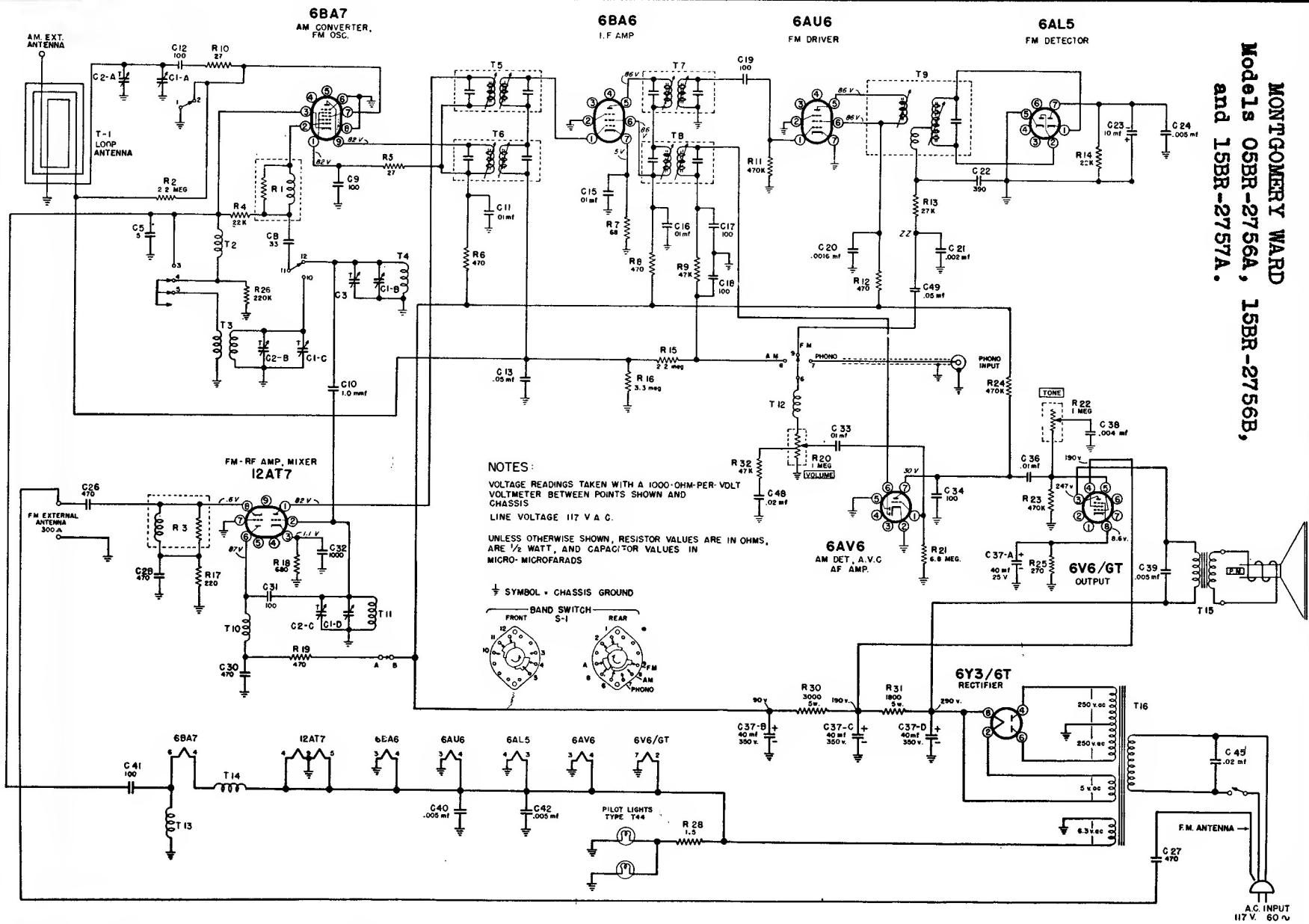


**MONTGOMERY WARD**  
**Models 05BR-2756A, 15BR-2756B,**  
**and 15BR-2757A.**



NOTE: Line cord Antenna wire is not electrically connected to the AC plug terminals.

Intermediate Freq.....AM-455 kc.; FM-10.7 mc.