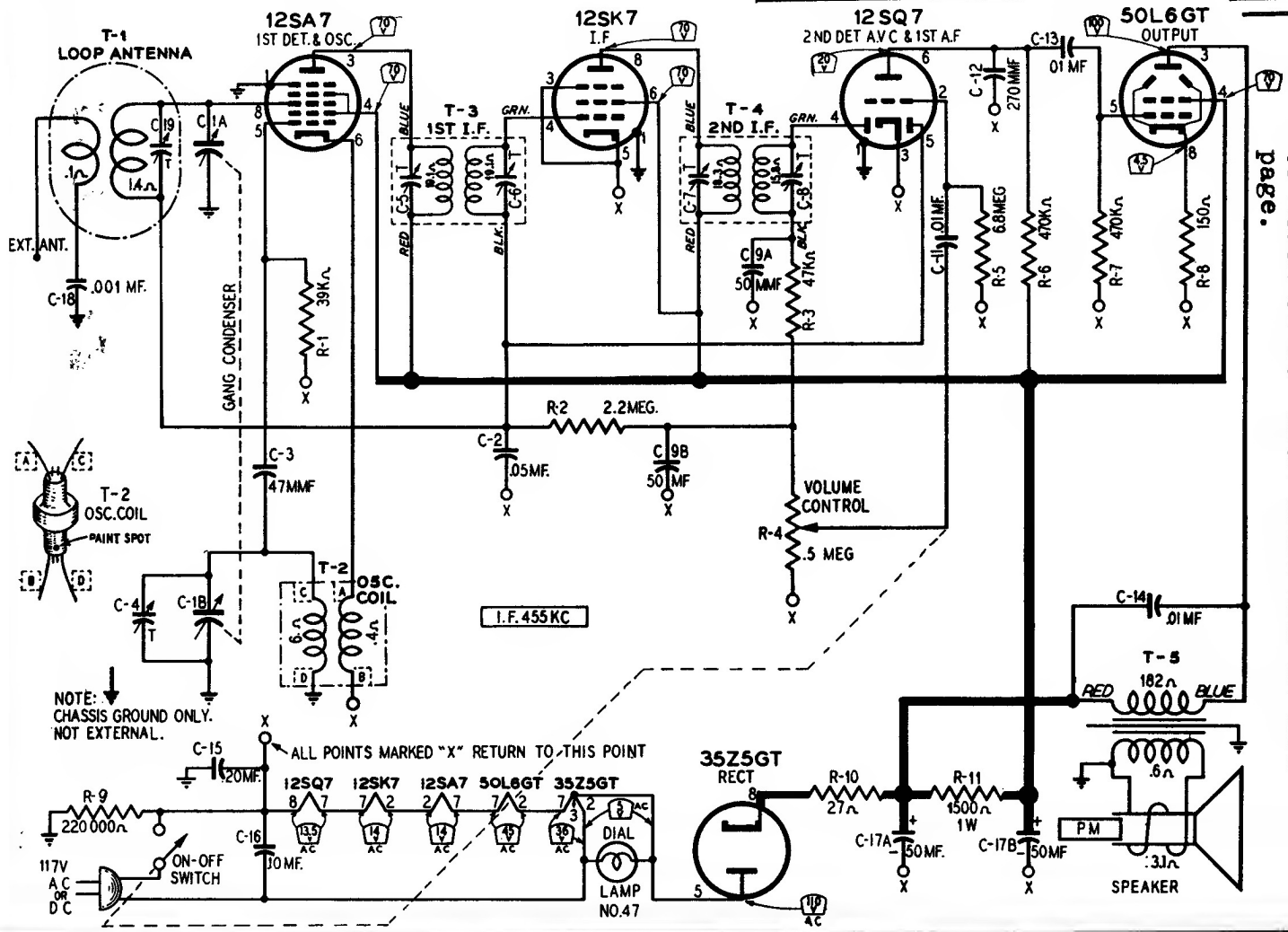
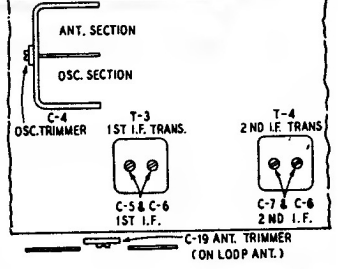
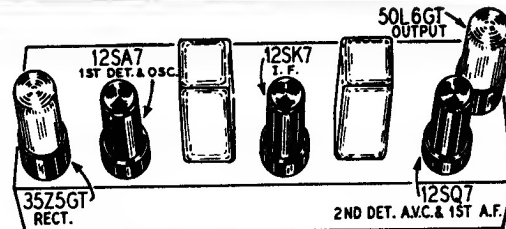


TUBE SOCKET VOLTAGES

Socket voltages are shown on the schematic diagram at the tube socket terminals. All voltages except those for the heater and dial lamp are between the socket terminal and "X" point.



WARDS

MODEL 54 WG-1801A

Model 54 WG-2007, a four tube (plus rectifier tube) A.C. receiver with a single record player, has the chassis similar to Model 54 WG-1801 described on this page.