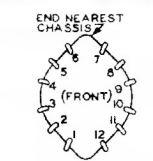
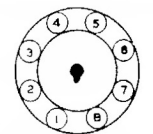


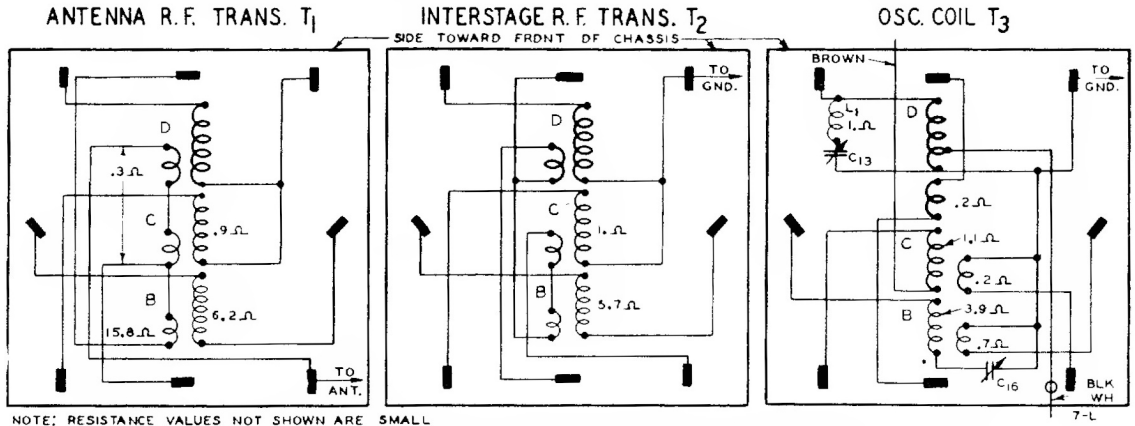
ARROWS INDICATE CONNECTIONS PRESENT IN BAND SWITCH WHEN IN POSITION SHOWN.

	POSITION 1	POSITION 2	POSITION 3
	STANDARD WAVE	SHORT WAVE B	SHORT WAVE C
BACK SECT. 1	11 12 3	11 12 3	11 12 3
FRONT SECT. 1	4 5 6 7 8	9 10 11 12 4 5 6 7 8	9 10 11 12 4 5 6 7 8
FRONT SECT. 2	4 5 6 7 8	4 5 6 7 8	4 5 6 7 8
BACK SECT. 2	10 11 12 1 2	10 11 12 1 2	10 11 12 1 2



- TUBE ELEMENT LEGEND**
- SH - SHELL
 - H - HEATER
 - K - CATHODE
 - P - PLATE
 - G1 - CONTROL GRID
 - G2 - SCREEN GRID
 - G3 - SUPPRESSOR GRID
 - D - DIODE PLATE
 - T - TARGET
 - HK - HEATER AND CATHODE

Montgomery Ward Models 62-226, 62-228, 62-259, 62-308, 62-318, 62-408, 62-418



R. F. and Oscillator Coil Base Terminal Arrangement and D. C. Resistance of Windings

Line Voltage: 115
Volume Control: Maximum

Antenna Shorted to Ground
Position of Band Switch: Standard Wave

TUBE	FUNCTION	VOLTAGE BETWEEN SOCKET PRONGS AND GROUND (Unless otherwise indicated)							
		Prong No. 1	Prong No. 2	Prong No. 3	Prong No. 4	Prong No. 5	Prong No. 6	Prong No. 7	Prong No. 8
6K7	RF	0	6.1 ⁽¹⁾	260	100	4.0	6.1 ⁽¹⁾	4.0
6K7	1st Det.	0	6.1 ⁽¹⁾	260	118	0	6.1 ⁽¹⁾	9.0
6C5	Osc.	0	6.1 ⁽¹⁾	120	...	0	6.1 ⁽¹⁾	0
6K7	I F	0	6.1 ⁽¹⁾	260	138	4.0	6.1 ⁽¹⁾	4.0
6Q7	1st A.F.—2nd Det.	0	6.1 ⁽¹⁾	105	0	0	6.1 ⁽¹⁾	1.4
6F6	Power Amp.	0	6.1 ⁽¹⁾	238	260	18	6.1 ⁽¹⁾	0
5Z4MG	Rect.	0	4.9 ⁽²⁾	...	680 ⁽³⁾	...	680 ⁽³⁾	4.9 ⁽²⁾
6E5	Tuning Indicator	Plate to Ground 30 ⁽⁴⁾		Target to Ground 270		Cathode to Ground 0		Across Heater 6.1 A.C.	

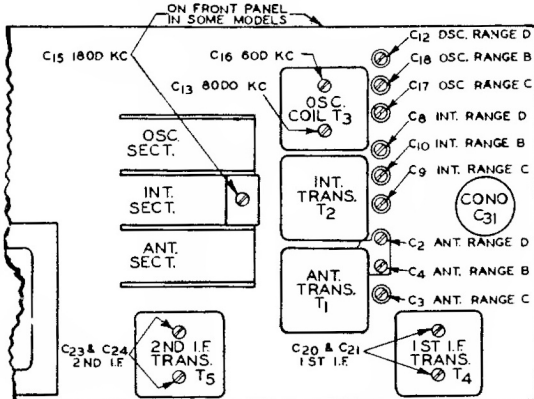
(1) A.C. voltage as read across heater terminals 2 and 7.
(2) A.C. voltage as read across heater terminals 2 and 8.

(3) A.C. voltage as read across terminals 4 and 6.
(4) As read with 500,000 ohm meter.

The voltage readings are taken with a voltmeter having a resistance of 1000 ohms per volt. The standard metal tube socket terminal numbering system (bottom of socket) is shown in Fig. 5

MONTGOMERY WARD

62-226, 62-228, 62-259, 62-308,
62-318, 62-408, 62-418



Location of Trimmers

Fig. 5—Metal tube terminal numbering (bottom of socket)

