

# Montgomery Ward Radio Model 62-233

## DESCRIPTION

### Tubes

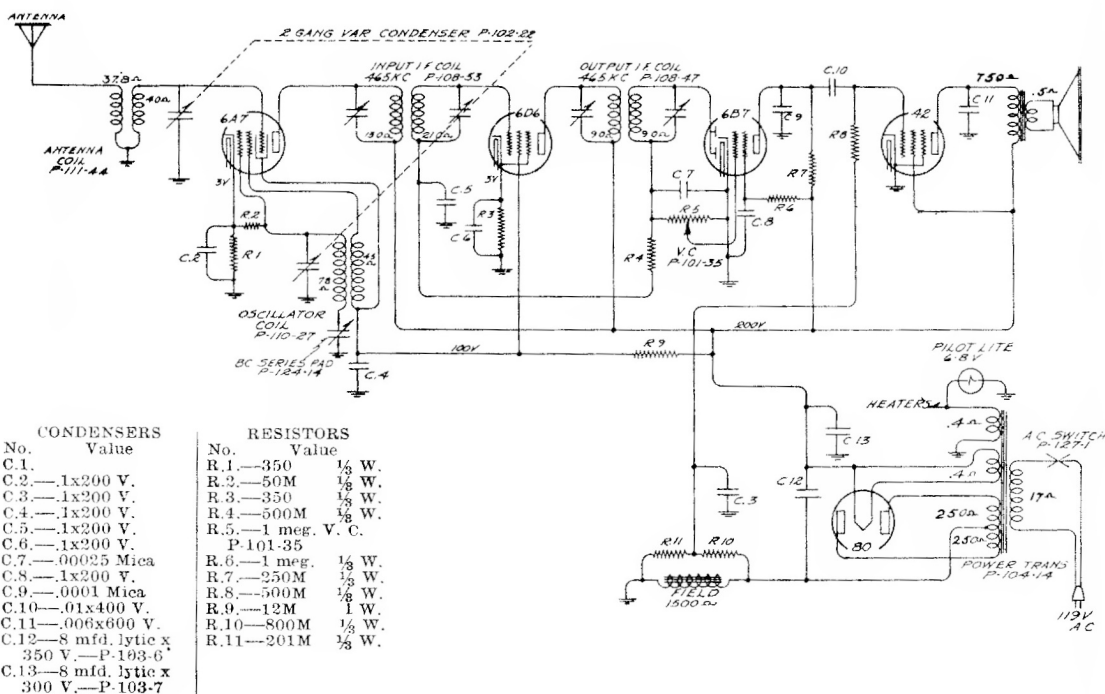
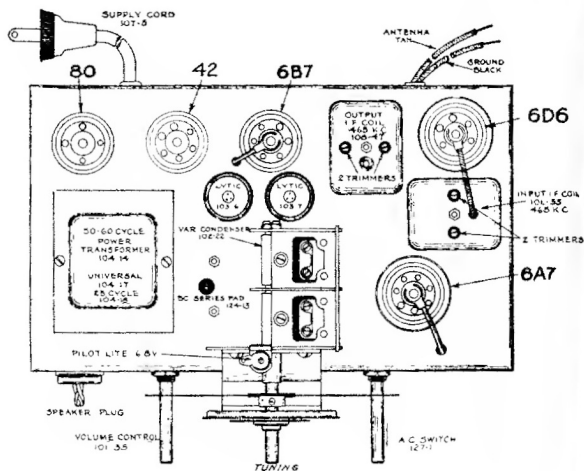
The Tube complement of this chassis is as follows:

- 1 Type 6A7—pentagrid electron coupled oscillator and first detector.
- 1 Type 6D6—remote cut-off pentode as I.F. amplifier.
- 1 Type 6B7—duplex diode pentode as diode detector, A.V.C. and A.F.
- 1 Type 42—pentode output tube.
- 1 Type 80—high vacuum rectifier.

Voltages taken from different points of circuit to chassis are measured with volume control full on, all tubes in their sockets and speaker connected, with a volt meter having a resistance of 1000 ohms per volt. These voltages are clearly indicated on the circuit diagram.

All voltages are measured with 119 volts on the primary of the power transformer.

Resistance of coils and transformer windings are indicated in ohms on schematic circuit diagram.



## Service Notes

To check for open by-pass condensers, shunt each condenser with another of similar capacity and of the same voltage rating, which is known to be good, until the defective unit is located. Open by-pass condensers frequently cause oscillation and distorted tone. Defective and shorted electrolytic filter condensers cause excessive hum, motor-boating, low volume and a reduction in all D.C. voltages. Open or shorted electrolytic and by-pass condensers (across bias resistor of type 42 tube) will cause low volume and distorted tone.