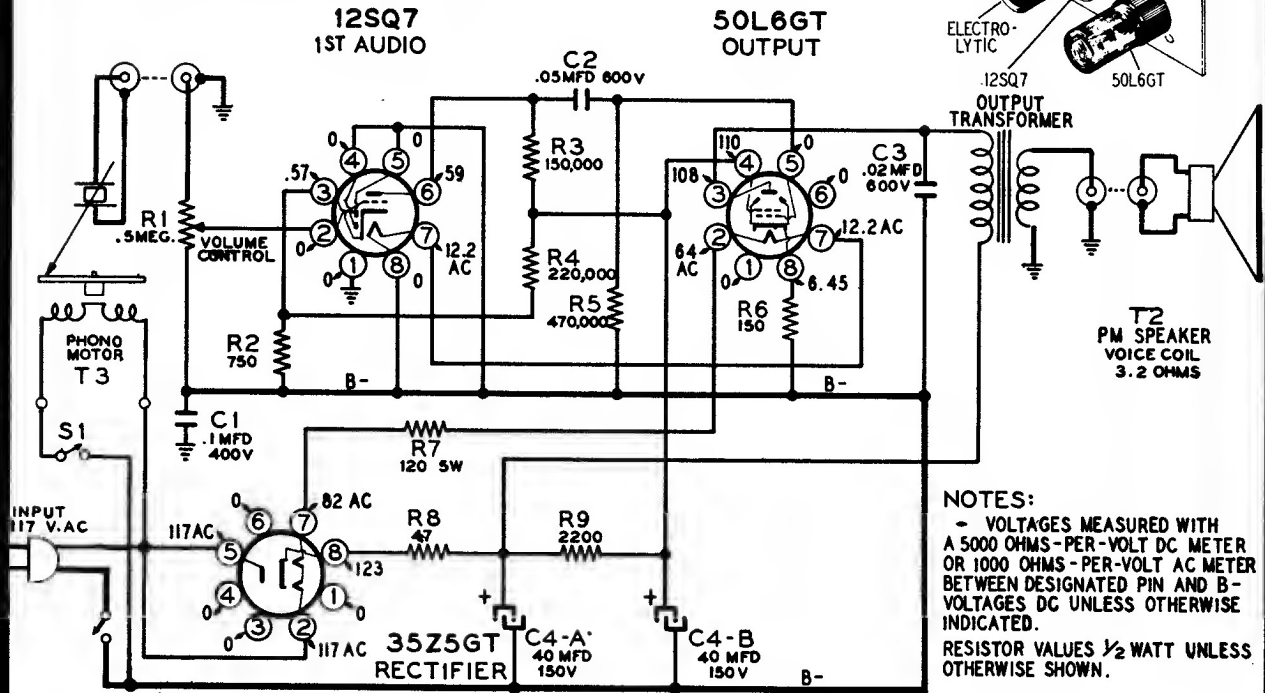
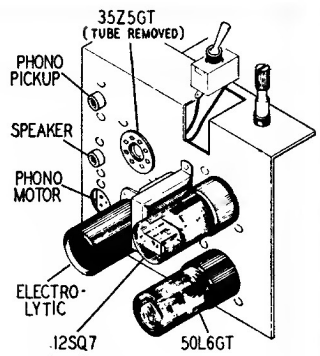


WARDS

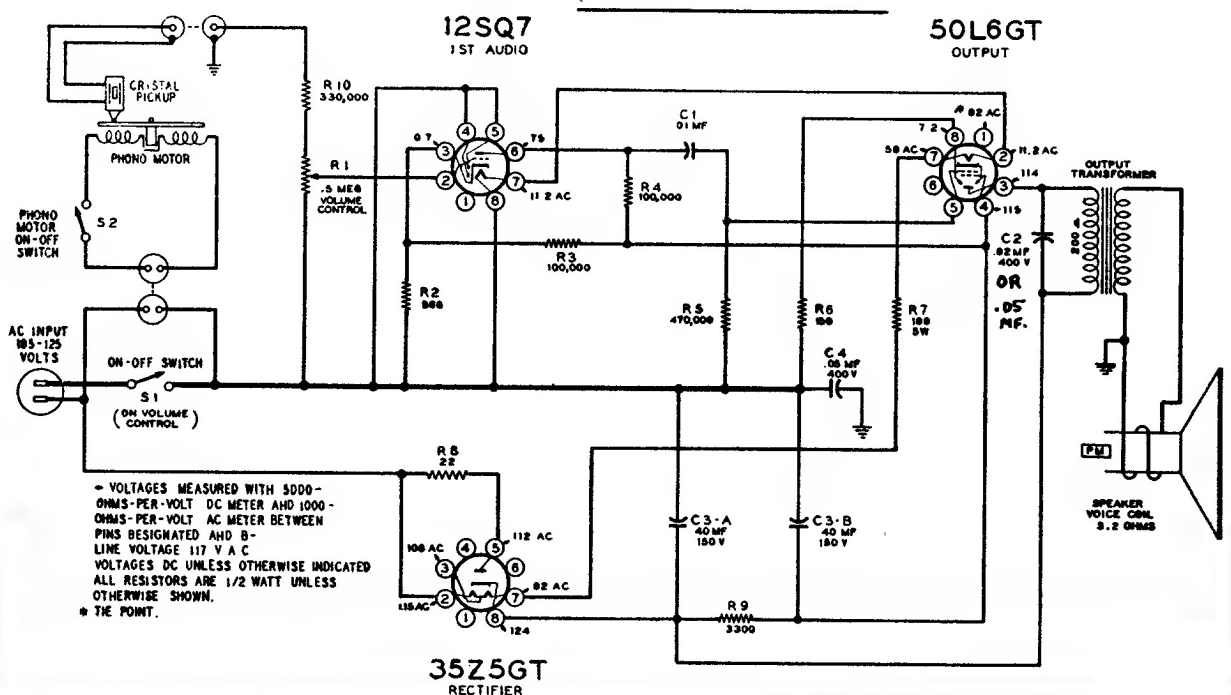
MODEL 64BR-916A

Power supply . . . 105 to 125 volts AC, 60 cycles, 60 watts
 Power output of amplifier 1.5 watts maximum
 Sensitivity (for 1 watt output) 0.25 volts average



NOTES:
 - VOLTAGES MEASURED WITH A 5000 OHMS-PER-VOLT DC METER OR 1000 OHMS-PER-VOLT AC METER BETWEEN DESIGNATED PIN AND B-VOLTAGES DC UNLESS OTHERWISE INDICATED.
 RESISTOR VALUES 1/2 WATT UNLESS OTHERWISE SHOWN.

MODEL 64BR-917B



- VOLTAGES MEASURED WITH 5000-OHMS-PER-VOLT DC METER AND 1000-OHMS-PER-VOLT AC METER BETWEEN PINS DESIGNATED AND B-LINE VOLTAGE 117 V AC VOLTAGES DC UNLESS OTHERWISE INDICATED
 ALL RESISTORS ARE 1/2 WATT UNLESS OTHERWISE SHOWN.
 * THE POINT.

35Z5GT
RECTIFIER