

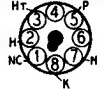
12SK7
R.F.

12SA7
MIXER

12SF7
I.F. & 2ND DET.

12SJ7
1ST A.F.

35L6GT



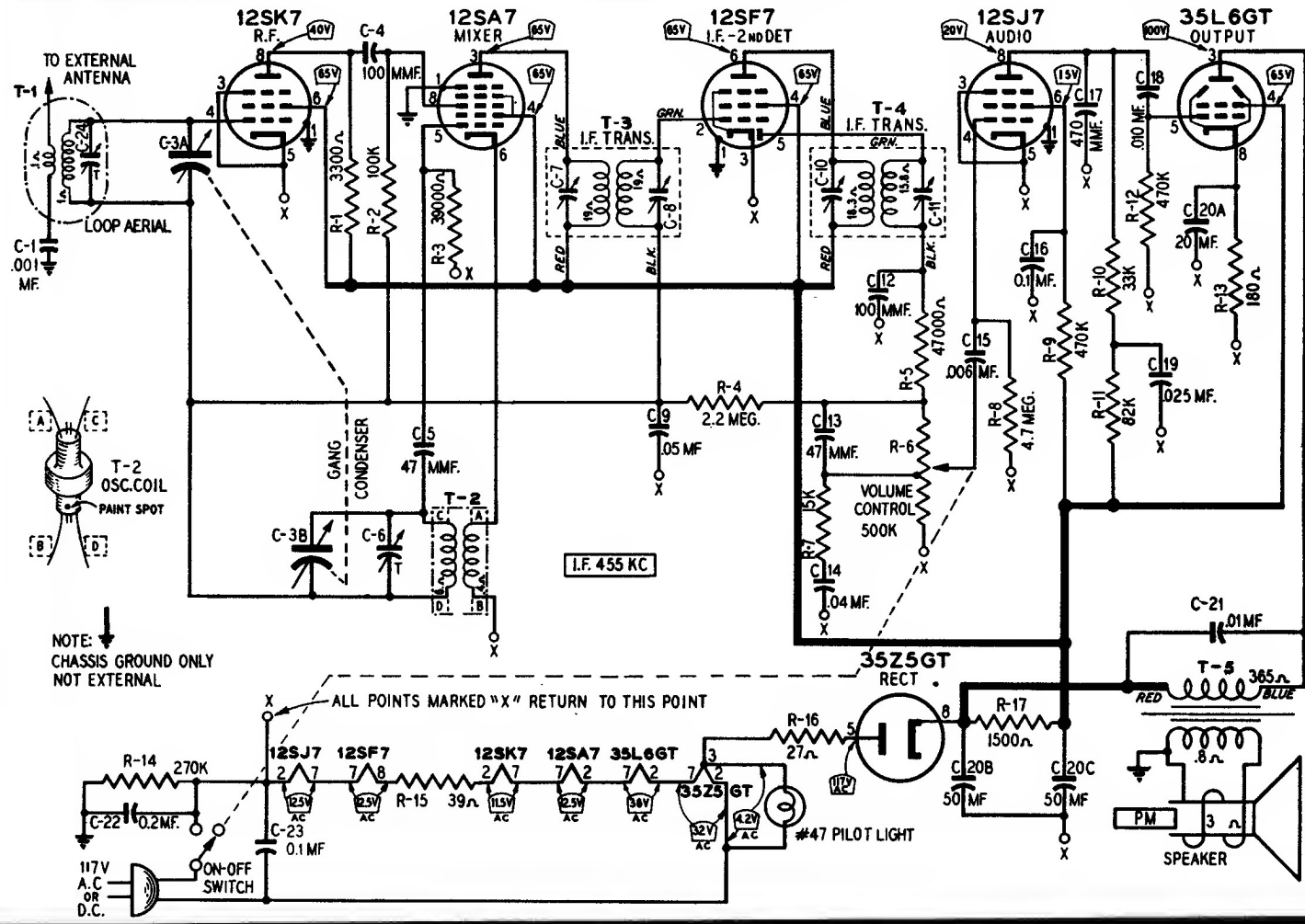
STANDARD TUBE SOCKET SYMBOLS
 D—DIODE PLATE HT—HEATER TAP
 G—CONTROL GRID K—CATHODE
 G_A—ANODE GRID NC—NO CONNECTION
 G₁—OSCILLATOR GRID P—PLATE
 G₂—SCREEN GRID S—METAL SHELL
 H—HEATER S₁—SUPPRESSOR GRID

D12-2002

Socket voltages are shown on the schematic diagram at the tube socket terminals. All voltages except those for the heater and dial lamp are between the socket terminal and "X" point.

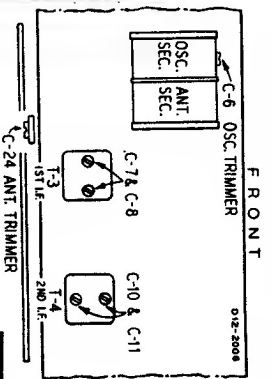
The readings were taken with a 1000 ohm-per-volt meter and all plate and screen voltages read on a 500 volt scale. Conditions of measurement are:

- Line voltage.....117 volts AC
- Volume control.....maximum
- Signal input.....none



NOTE: ↓
CHASSIS GROUND ONLY
NOT EXTERNAL

ALL POINTS MARKED "X" RETURN TO THIS POINT



MONTGOMERY WARD
CHICAGO, U. S. A.
MODEL 64 WG-1804A

D12-2004