

M O N T G O M E R Y W A R D

74BR-1501B, 1502B

ALIGNMENT PROCEDURE AND RECEIVER STAGE SENSITIVITIES

The signal source must be an accurately calibrated signal generator capable of supplying R. F. signals modulated 30% with a 400-cycle audio signal. A 400-cycle source is necessary for the audio measurement.

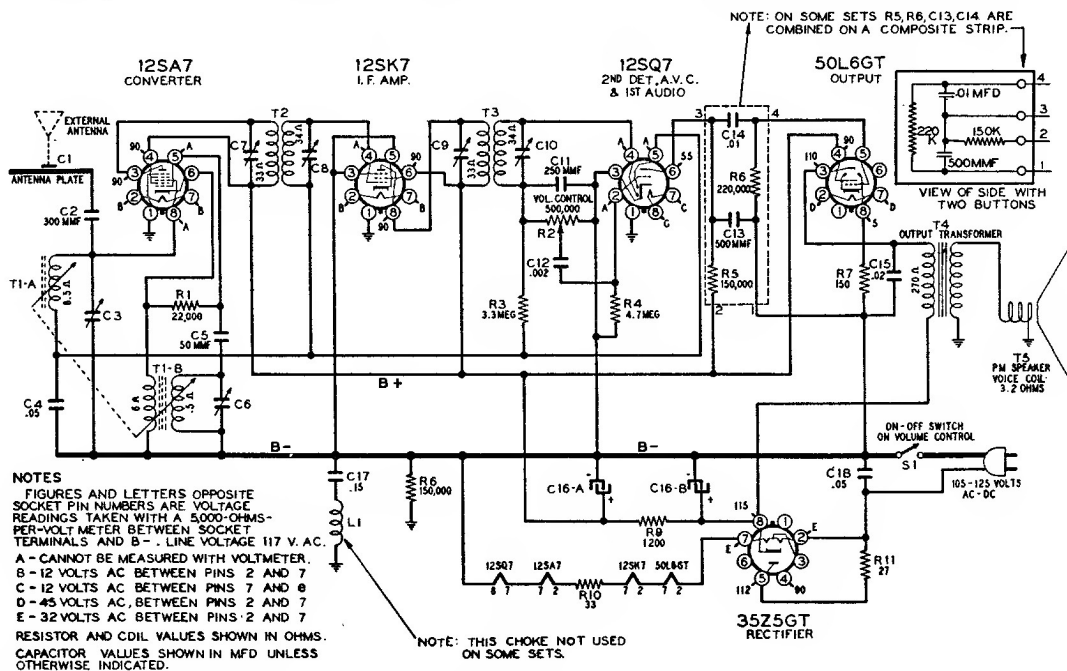
The table below lists the sensitivity at various points. All measurements are based on an output of 50-milliwatts. This may be measured by disconnecting the

speaker voice coil and substituting a 3.2-ohm, 5-watt resistor across the secondary winding of the output transformer. A reading of .4 volts AC across this resistor will be equivalent to a 50-milliwatt output with the speaker connected. Variations of plus or minus 25% are usually permissible. Volume control at maximum for all adjustments.

SIGNAL GENERATOR				TUNER SETTING	ADJUST FOR MAXIMUM OUTPUT	INPUT FOR 50-MILLIWATT OUTPUT
Frequency	Coupling Capacitor	Connection to Radio	Ground Connection			
455 kc	.1 mf	Metal antenna plate	12SQ7 Pin 3	Iron cores all the way out	Trimmers on output and input i.f. cans	_____
1720 kc	.1 mf	Metal antenna plate	12SQ7 Pin 3	Iron cores all the way out	Oscillator trimmer C6	_____
1720 kc	200 mmf	External antenna clip	12SQ7 Pin 3	Iron cores all the way out	Antenna trimmer C3	_____
1400 kc	200 mmf	External antenna clip	12SQ7 Pin 3	1400 kc	Adjust position of ant. coil (see coil illustration view)	31 microvolts
1720 kc	200 mmf	External antenna clip	12SQ7 Pin 3	1720 kc	Antenna trimmer C3 ^a	31 microvolts
1000 kc	200 mmf	External antenna clip	12SQ7 Pin 3	1000 kc	_____	28 microvolts
455 kc	.1 mf	12SA7, Pin 8	12SQ7 Pin 3	Iron cores all the way out	_____	82 microvolts
400 cycles	.1 mf	12SQ7, Pin 2	12SQ7 Pin 3	_____	_____	.05 volts

*After the antenna coil has been tracked at 1400 kc, it is necessary to check the antenna trimmer C3 again at 1720 kc. If no appreciable change in trimmer adjustment is necessary, the coil is in track. If the trimmer

requires considerable change, the position of the antenna coil at 1400 kc must be readjusted. These two adjustments should be made several times, until no trimmer adjustment is required at 1720 kc.



NOTES: On some sets dual trimmer C3, C6 is grounded to chassis instead of to B- as shown above. On some sets R6 is 470K ohms and R5 is 220K ohms. On some sets R10 is not used.