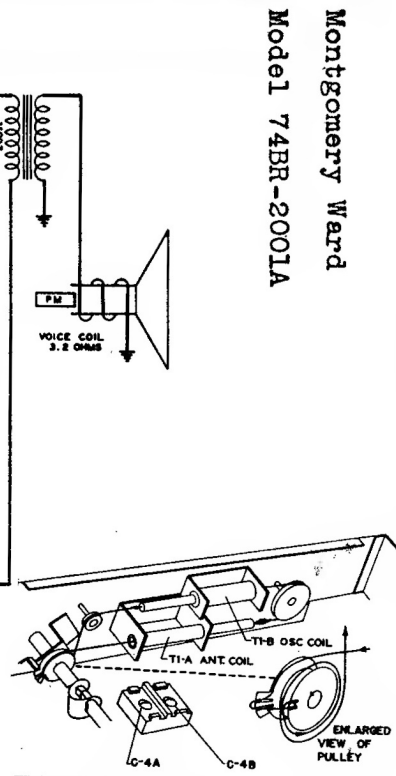
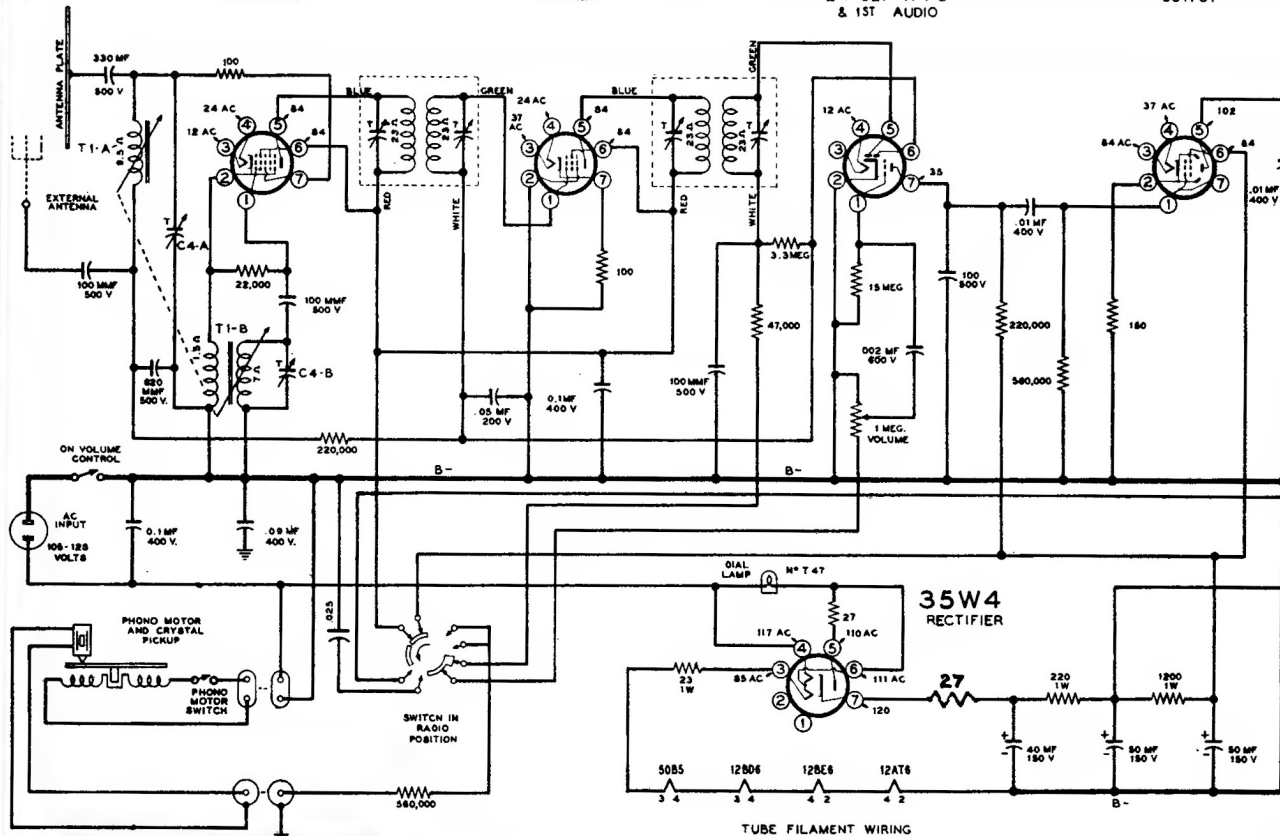


12BE6
CONVERTER

12BD6
1 F AMP

12AT6
2ND DET A V C
& 1ST AUDIO

50B5
OUTPUT



Montgomery Ward
Model 74BR-2001A

View of Tuning Coil Assembly

WARDS

MODEL 74BR-2001A

NOTES:
VOLTAGES TAKEN WITH A 1000-OHM-
PER-VOLT VOLTMETER. DC SOCKET
VOLTAGE READINGS ARE TAKEN
BETWEEN PINS DESIGNATED AND B-.
LINE VOLTAGE 113 AC.
VOLTAGES SHOWN ARE DC UNLESS
OTHERWISE INDICATED.
ALL RESISTORS ARE 1/2 WATT
UNLESS OTHERWISE INDICATED.

- Frequency Range..... 535 to 1690 kc.
- Intermediate Freq..... 455 kc.
- Selectivity..... At 1000 kc. 52 kc at 1000 x signal.
- Sensitivity..... 23 microvolts average for .05 watts output.
- Power Output..... 0.75 watts undistorted, 1.0 watts maximum.
- Loud Speaker..... 4" x 6" oval, P.M., v.c. impedance 3.2 ohms.

REPLACING DIAL STRING

- 1-START AT SPRING
- 2-WRAP 2 TURNS COUNTER CLOCKWISE AROUND DRIVE PULLEY
- 3-GO AROUND IDLER PULLEYS BACK TO DRIVE PULLEY AND FINISH AT SPRING
- 4-TO SET POINTER ROTATE TUNING SHAFT TO EXTREME CLOCKWISE POSITION, FASTEN POINTER TO STRING AT RIGHT HAND END MARKER
- 5-BE SURE SPRING IS STRETCHED TO TAKE UP SLACK

