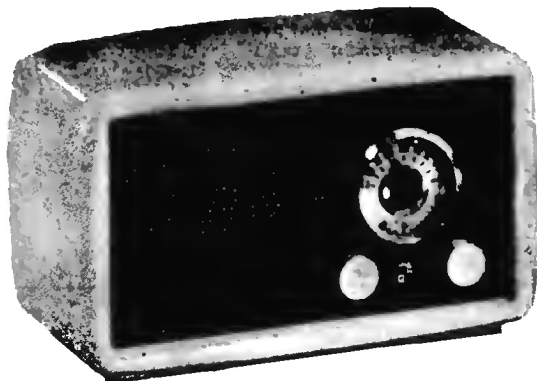


MONTGOMERY WARD

MODELS 84HA1527A

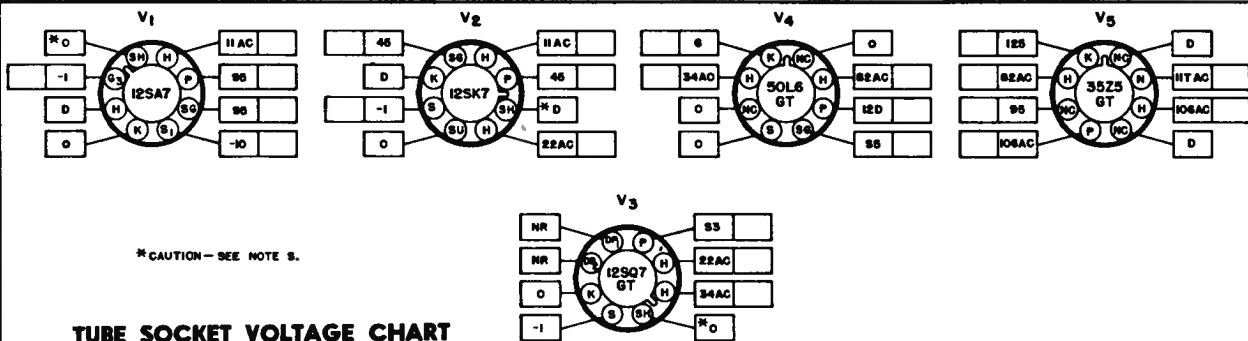
84HA1528A

Intermediate Frequency. 455 KC

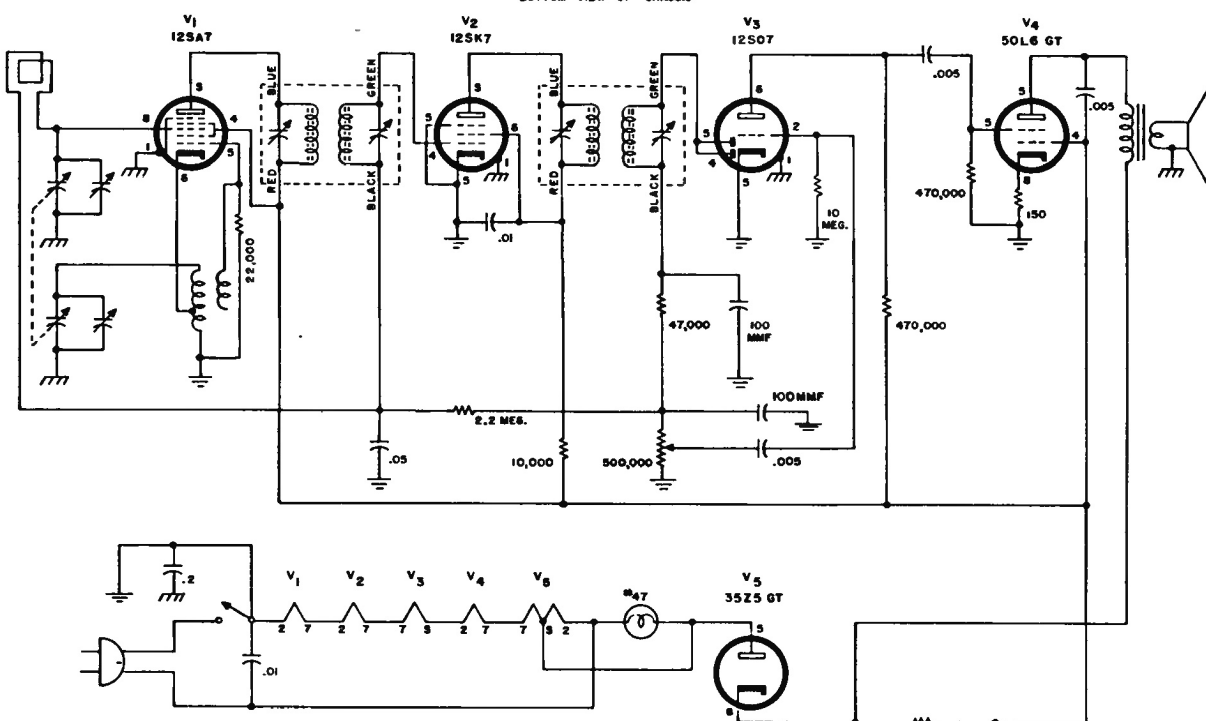


NOTES-

1. SOCKET VIEWS ARE BOTTOM VIEWS.
2. ALL VOLTAGES ARE MEASURED BETWEEN TUBE SOCKET TERMINALS AND ELECTRICAL GROUND (HOT CHASSIS) WITH ZERO SIGNAL INPUT.
3. LINE VOLTAGE—117 V. AC.
4. ALL VOLTAGES SHOWN ARE DC UNLESS OTHERWISE SPECIFIED.
5. AC VOLTAGES SHOWN BECOME DC WHEN OPERATING FROM A DC LINE.
6. DC VOLTAGES SHOWN WERE MEASURED WITH AN ELECTRONIC VOLTMETER.
6. "NC"—NO CONNECTION. (VOLTAGE SHOWN FOR THIS TERMINAL ONLY WHEN TERMINAL IS USED AS A TIE LUG).
7. "NR"—NOT READABLE. (READING GENERALLY MEANINGLESS).
8. [] SPACE PROVIDED FOR SERVICE METER READINGS.
9. ALL READINGS TAKEN WITH LINE PLUS POLARIZED SO THAT STRONG SUSS AND CHASSIS ARE AT THE SAME POTENTIAL WITH THE CHASSIS GROUNDED.



FRONT APRON
BOTTOM VIEW OF CHASSIS



NOTE- RESISTOR VALUES ARE IN OHMS.
ALL RESISTORS ARE 1/2W. UNLESS OTHERWISE SPECIFIED.
CAPACITOR VALUES ARE IN MFD. UNLESS OTHERWISE SPECIFIED.
⊥ INDICATES ELECTRICAL GROUND
⏏ INDICATES CHASSIS GROUND