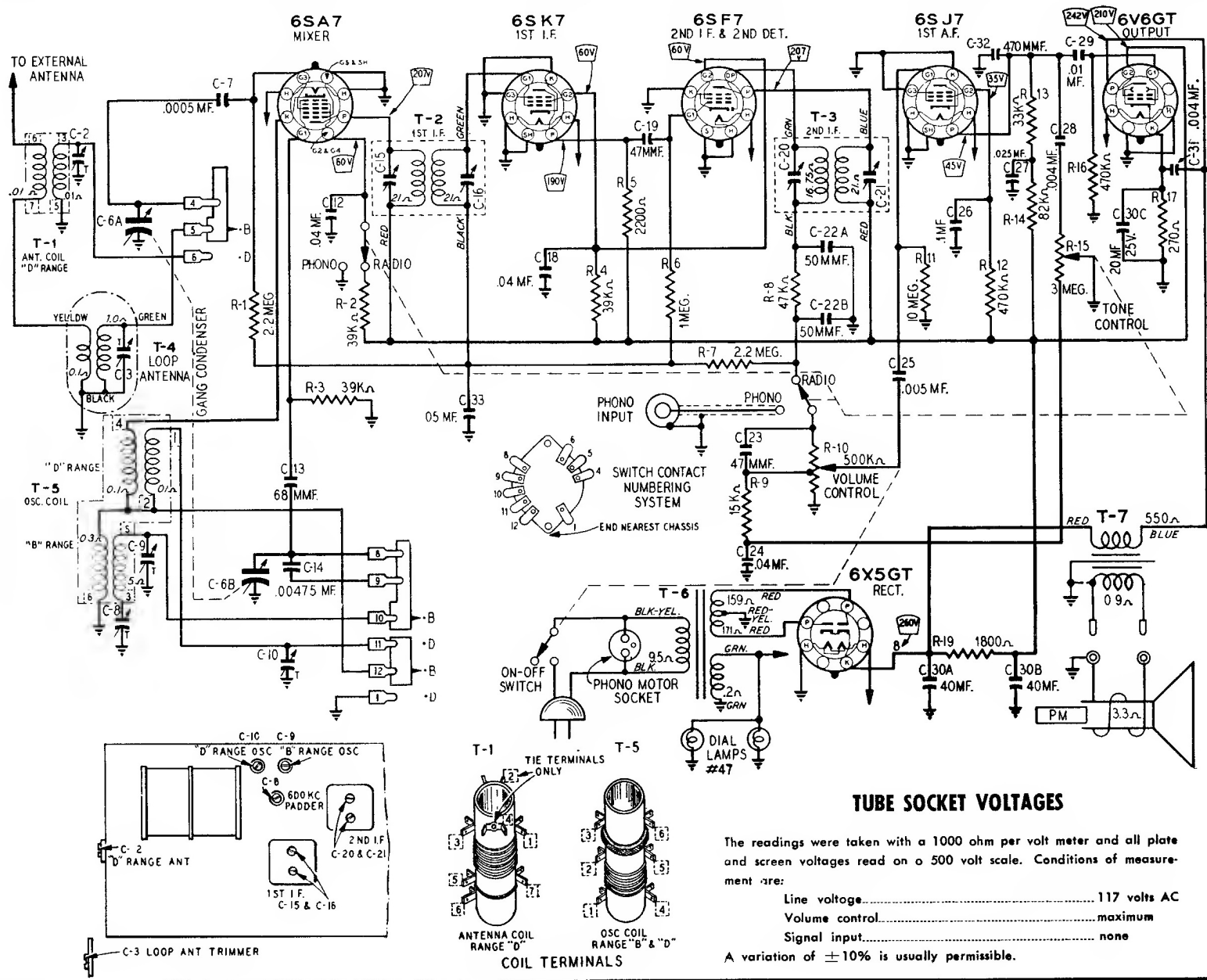


M O N I T O R I N G W A R D

MODEL 84 WG-2704D

Frequency Range.....B range—540-1600 KC
 D range—5.75 to 18.3 KC
 Intermediate Frequency...455 KC

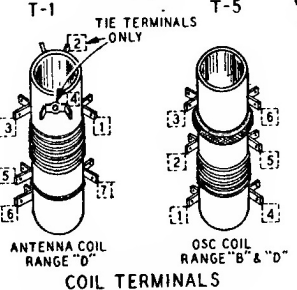


TUBE SOCKET VOLTAGES

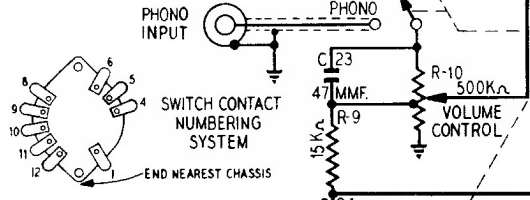
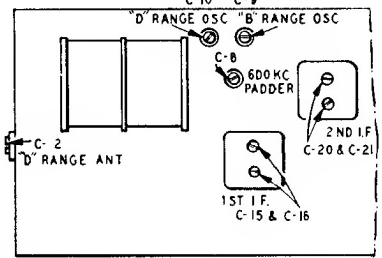
The readings were taken with a 1000 ohm per volt meter and all plate and screen voltages read on a 500 volt scale. Conditions of measurement are:

- Line voltage..... 117 volts AC
- Volume control..... maximum
- Signal input..... none

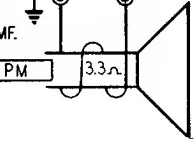
A variation of ±10% is usually permissible.



COIL TERMINALS



PHONO INPUT
SWITCH CONTACT NUMBERING SYSTEM
END NEAREST CHASSIS



T-7 550Ω
BLUE
RED
PM 3.3Ω