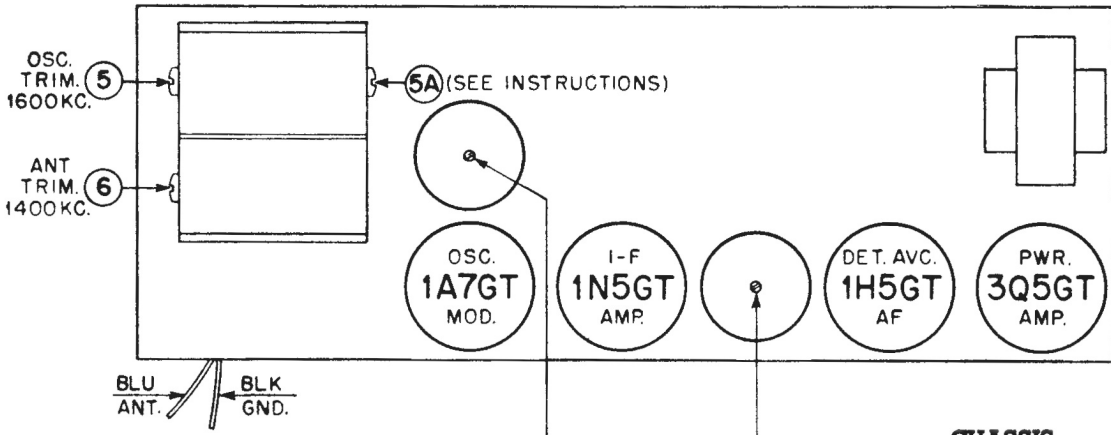
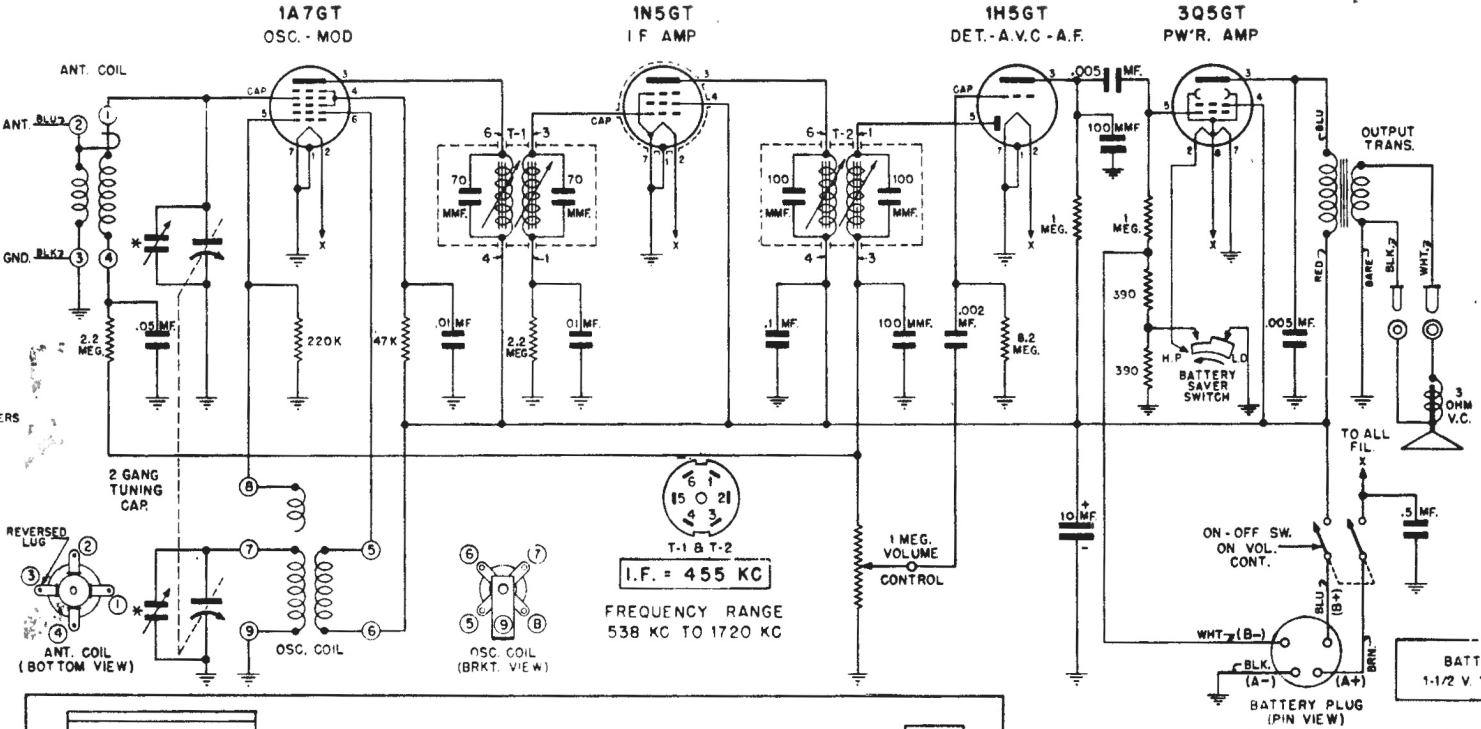


Motorola

MODEL 47B11



'A' DRAIN - .25 AMP.
'B' DRAIN IN 'L.O.' POSITION - 8 MA.
'B' DRAIN IN 'H.P.' POSITION - 12 MA.
MAX. PW'R. OUTPUT - 250 MILLIWATTS.

- I-F 455 KC.
- DIODE 455 KC
- 3 SEC. (BOTTOM)
- 1 SEC. (BOTTOM)
- 4 PRI. (TOP)
- 2 PRI. (TOP)

**CHASSIS
HS-72**

Motorola

MODEL 47B11

