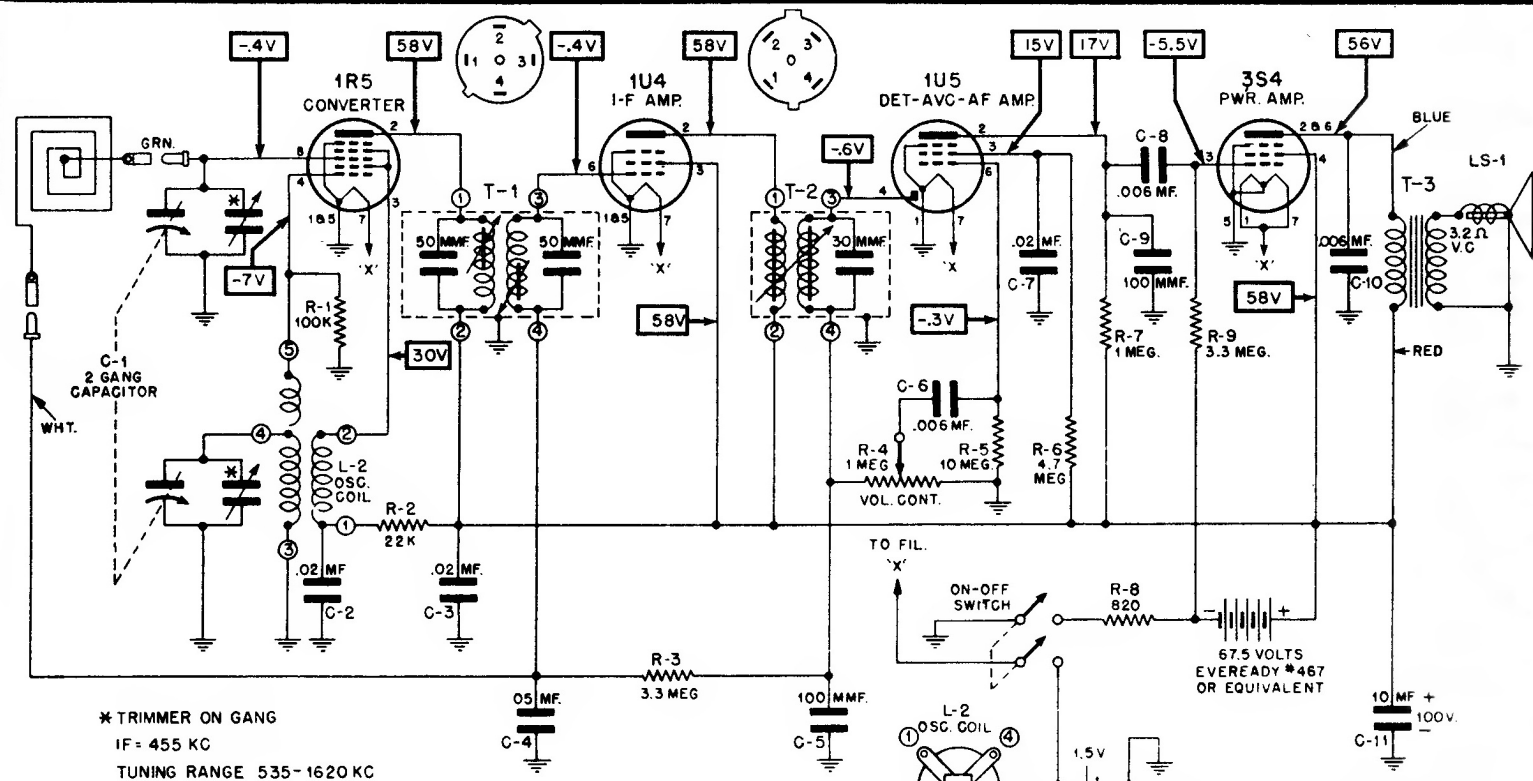
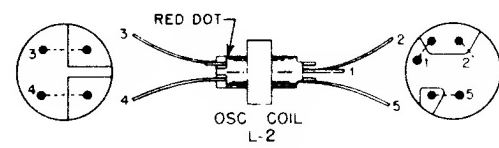
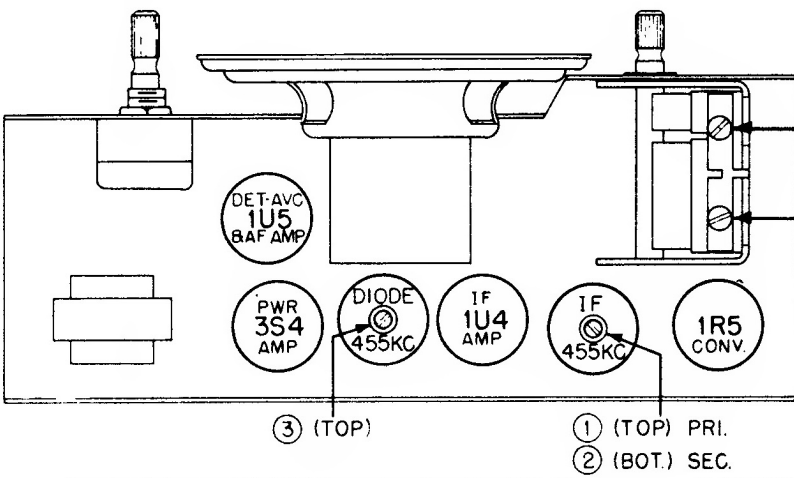
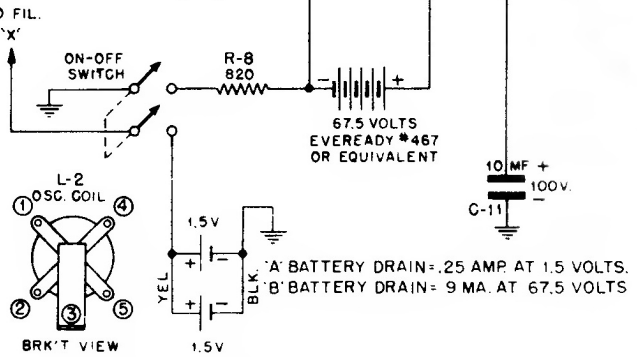


# Motorola HOME Radios



\* TRIMMER ON GANG  
 IF = 455 KC  
 TUNING RANGE 535-1620 KC



TWO EVEREADY \*950 FLASHLIGHT CELLS OR EQUIVALENT.  
 VOLTAGE READINGS SHOWN WERE MEASURED FROM POINTS INDICATED TO CHASSIS WITH A VTVM.  
 NO SIGNAL WAS TUNED IN. TOLERANCE ±10%.

MODELS  
 49L11Q  
 49L13Q  
 CHASSIS  
 HS-183