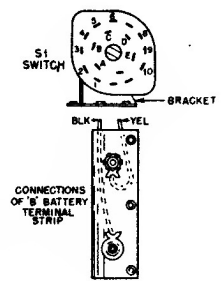


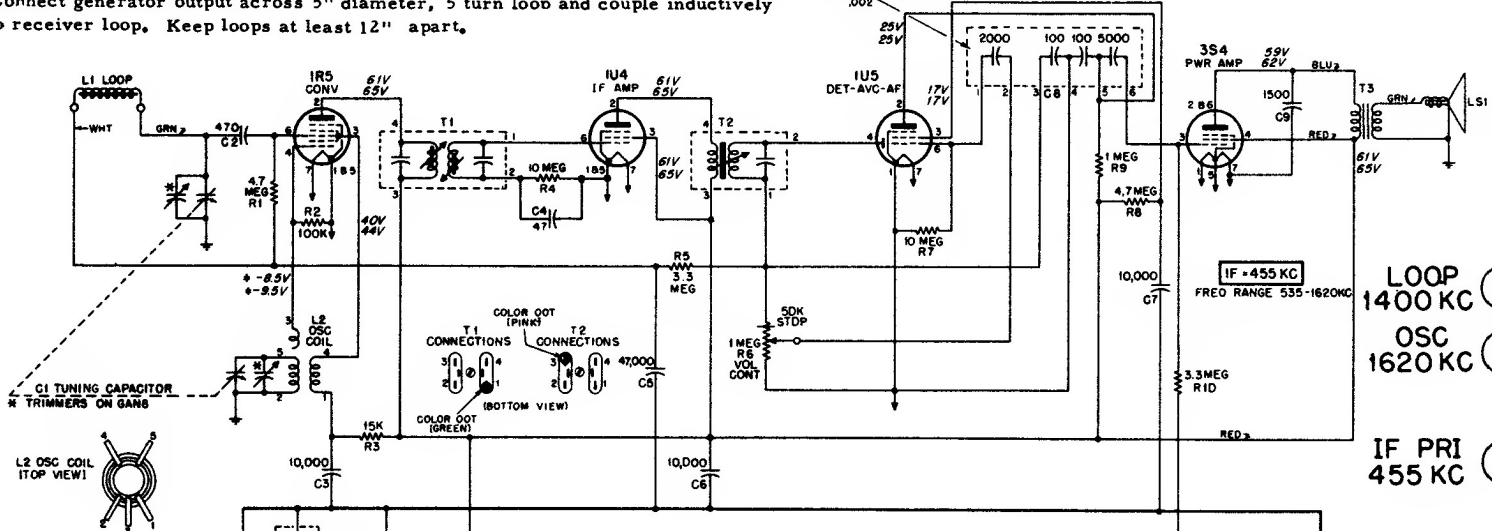
# ALIGNMENT CHART

STEP	DUMMY ANTENNA	GENERATOR CONNECTION	GENERATOR FREQUENCY	GANG SETTING	ADJUST	REMARKS
IF ALIGNMENT						
1.	.1 mf	Grid of conv (pin 6, 1R5)	455 Kc	Fully open	1, 2 & 3 (IF cores)	Adjust for maximum.
RF ALIGNMENT						
2.	.1 mf	Grid of conv (pin 6, 1R5)	1620 Kc	Fully open	4 (Osc)	Adjust for maximum.
3.	-	-	-	-	-	Install batteries in chassis, leaving output meter connected to speaker.
4.	-	Radiation loop*	1400 Kc	Tune for max.	5 (Ant)	Adjust for maximum.

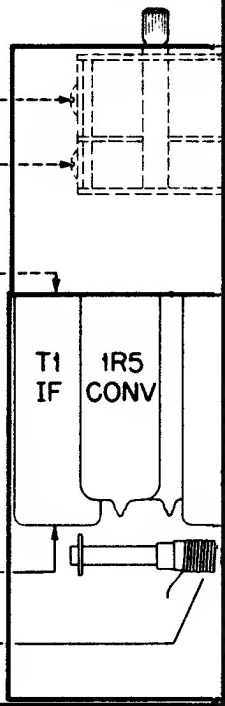


\*Connect generator output across 5" diameter, 5 turn loop and couple inductively to receiver loop. Keep loops at least 12" apart.

END IDENTIFICATION .002



**MOTOROLA, INC.**  
**MODEL 52BIU**  
**CHASSIS HS-305**



NOTE:- CAPACITORS INDICATED IN MMF UNLESS OTHERWISE SPECIFIED.  
 ALL RESISTORS INDICATED IN OHMS. K= ONE THOUSAND 1000 OHMS.  
 VOLTAGE MEASUREMENTS MADE WITH ELECTRONIC TYPE VOLTMETER.  
 VOLTAGES TAKEN BETWEEN POINTS INDICATED AND B-  
 VOLTAGE TOLERANCE ±10%  
 INPUT VOLTAGE 117V. AC.  
 NO SIGNAL INPUT.  
 \* MEASUREMENT MADE WITH GANG FULLY OPEN.  
 X BATTERY DRAIN=150 MA. AT 2.8 VOLTS.  
 B BATTERY ORAIN=6.5 MA. AT 67.5 VOLTS.  
 UPPER VOLTAGE READINGS OBTAINED ON BATTERY OPERATION AND LOWER READING ON AC.

