

MODELS

**52X11U**

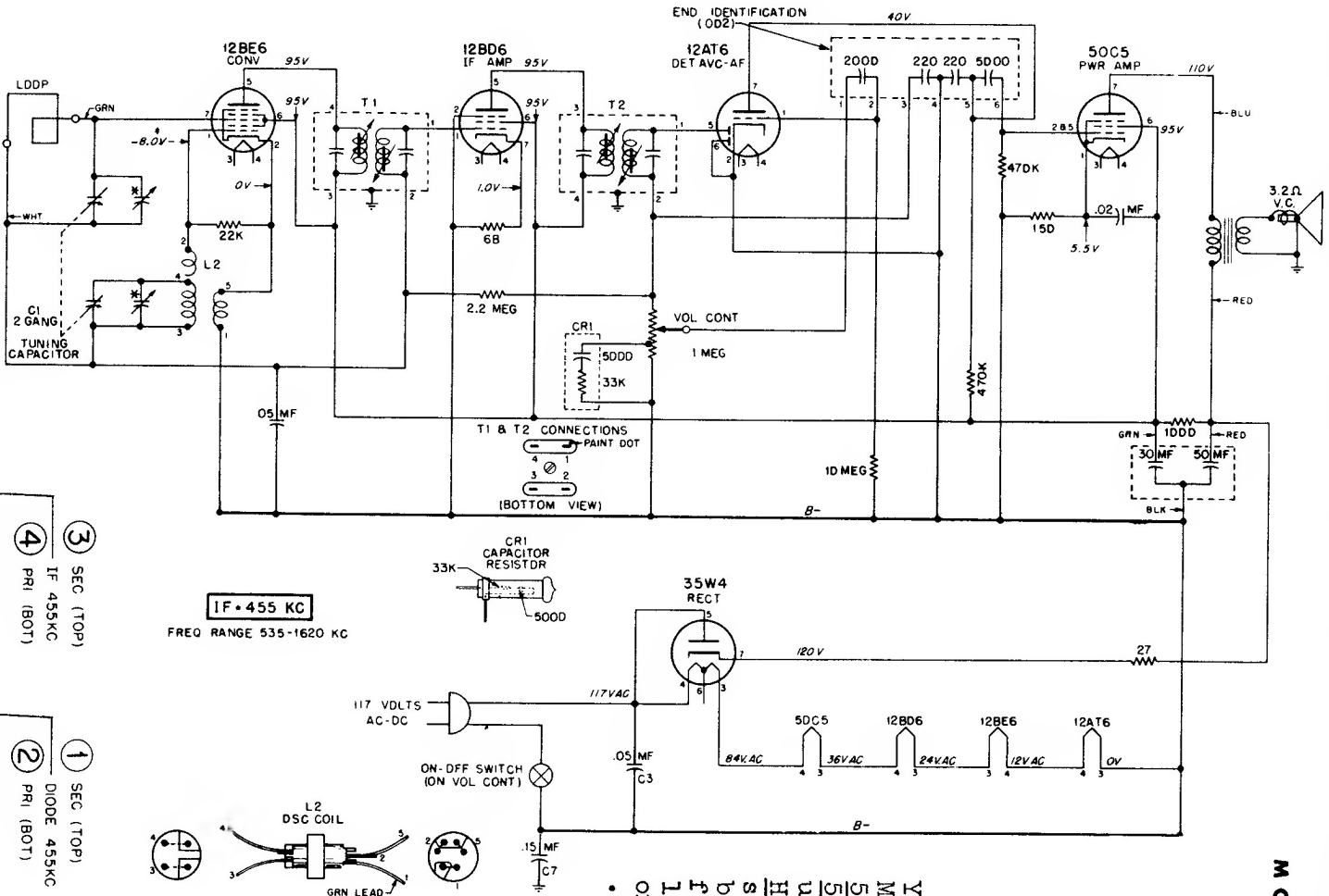
**52X12U**

**52X13U**

CHASSIS

**HS-312**

You will find that Motorola Models 52H11U, 52H12U, 52H13U, & 52H14U, using Chassis HS-313, have a similar circuit, but slightly different chassis layout. CR1 is omitted, C3 is .047 mfd.



NOTES  
 ALL CAPACITORS INDICATED IN MMF UNLESS OTHERWISE SPECIFIED.  
 ALL RESISTORS INDICATED IN OHMS.  
 K= ONE THOUSAND (1000) OHMS.  
 VOLTAGE MEASUREMENTS MADE WITH ELECTRONIC TYPE VOLTMETER  
 VOLTAGES TAKEN BETWEEN POINT INDICATED AND B-  
 INPUT VOLTAGE 117 VAC.  
 VOLTAGE TOLERANCE ±10%  
 NO SIGNAL INPUT.  
 \* TRIMMERS ON GANG.  
 † MEASUREMENT MADE WITH GANG FULLY OPEN.

