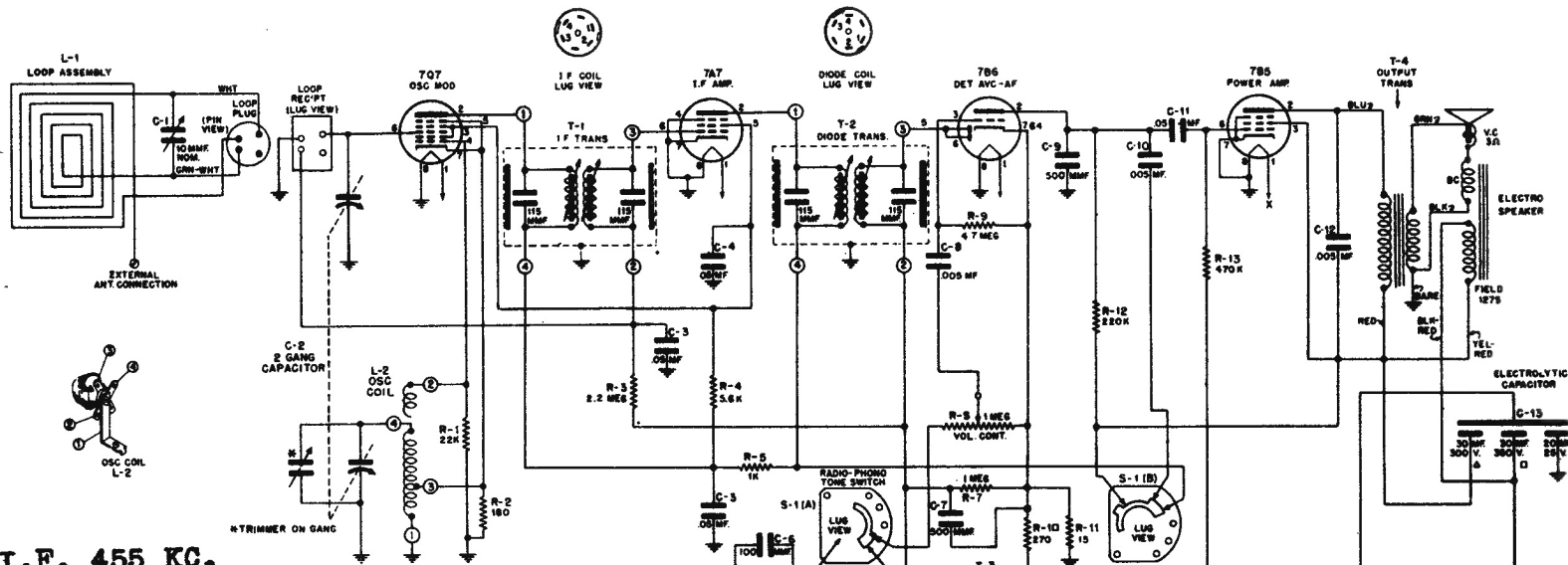


Motorola HOME Radio



I.F. 455 KC.

☐ = RESISTANCE MEASUREMENTS.

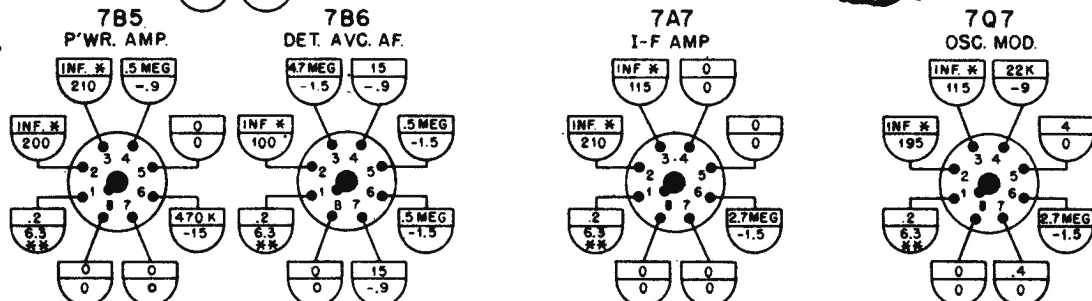
◐ = VOLTAGE MEASUREMENTS.

* = MAY VARY DUE TO ELECTROLYTIC CAPACITOR C-13 IN CIRCUIT.

** = A.C. VOLTAGES.

PHONO-RADIO SWITCH IN RADIO POSITION
VOLUME CONTROL ON FULL, DIAL SET TO L.
AND NO STATION TUNED IN.

VOLTAGE TOLERANCE ± 10%
RESISTANCE TOLERANCE ± 20%



NOTE-ALL RESISTORS ARE INDICATED IN OHMS
K=ONE THOUSAND OHMS,(1000 OHMS).

NOTE: A VTVM WAS USED TO MAKE VOLTAGE MEASUREMENTS.
ALL MEASUREMENTS ARE MADE FROM TUBE BASE 'PIN'
TERMINALS TO CHASSIS.

Motorola

Model 55F11

Chassis HS-30