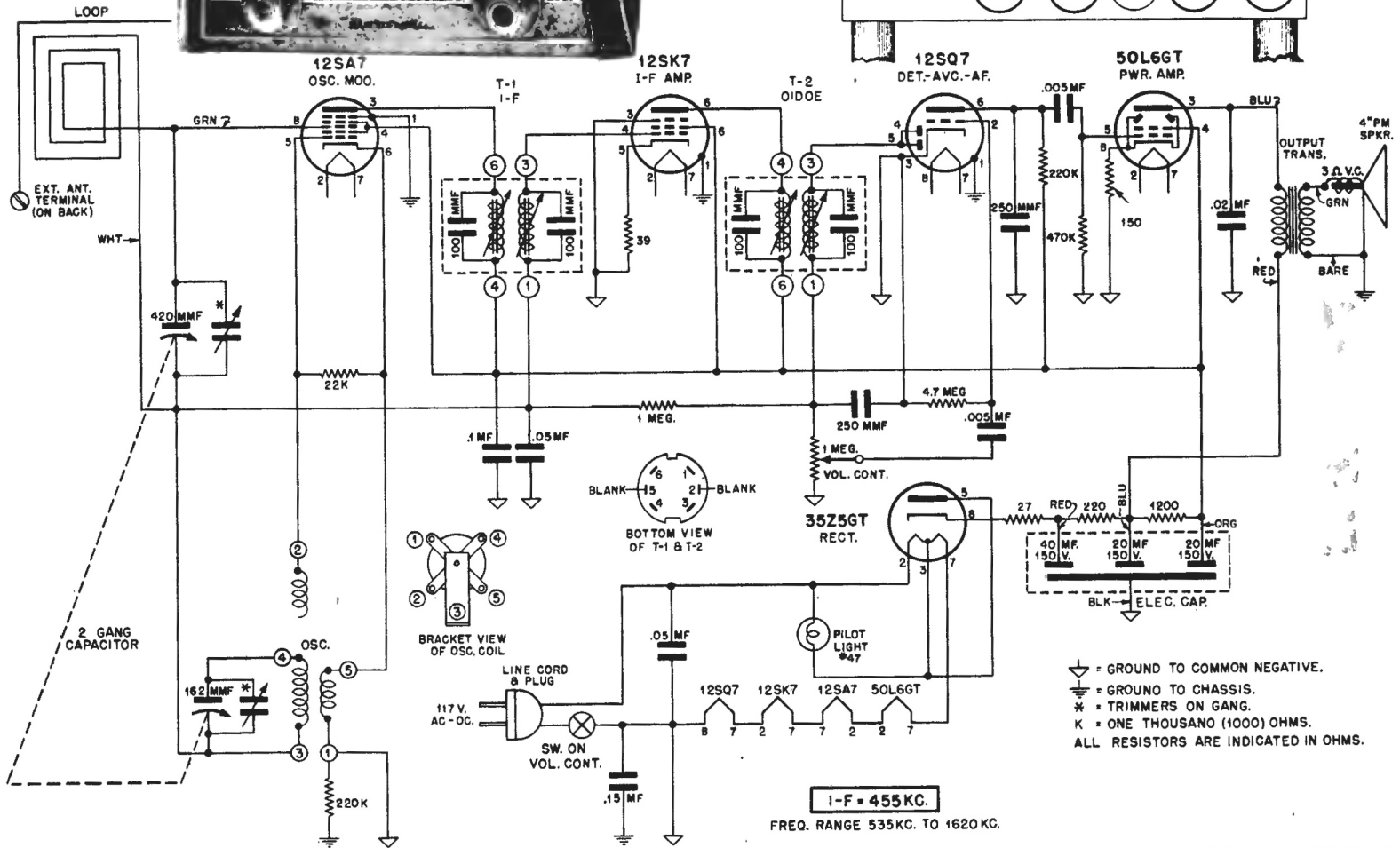
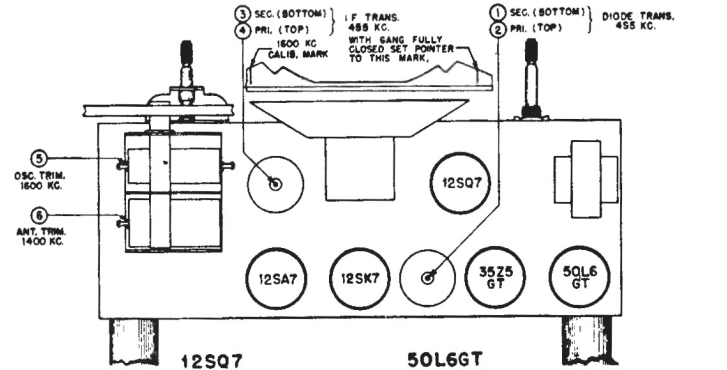
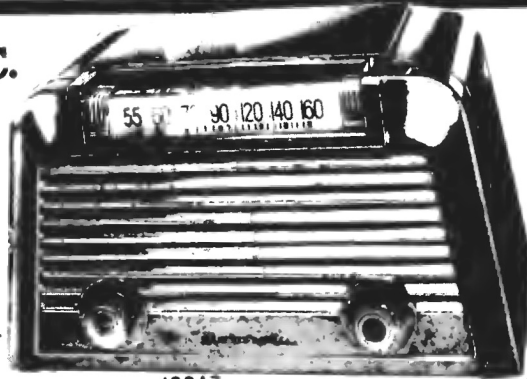


MOTOROLA INC.

Models 57X11, 57X12
Chassis HS-60

Motorola Models 57X11, 57X12, Chassis HS-60



- ⏏ = GROUND TO COMMON NEGATIVE.
- ⏏ = GROUND TO CHASSIS.
- * = TRIMMERS ON GANG.
- K = ONE THOUSAND (1000) OHMS.
- ALL RESISTORS ARE INDICATED IN OHMS.

I-F = 455 KC.
FREQ. RANGE 535 KC. TO 1620 KC.

Motorola

CHASSIS
HS-60

MODELS 57X11 & 57X12

A low range output meter should be connected across the speaker voice coil. Set receiver volume control to maximum; for greatest accuracy keep output of receiver at approximately .05 watt throughout alignment by reducing generator output (not receiver volume control) as stages are brought into alignment. (.05 watt = .40 volt on output meter). The alignment tool should be of an insulated type.

If receiver is operated from AC line during alignment, it is suggested that an isolating transformer be used between receiver and power line. If no isolation transformer is used and hum is encountered during alignment, connect the ground side of the signal generator to B- instead of the receiver chassis.

STEP	DIAL SET TO	DUMMY	SIGNAL GENERATOR CONNECTED TO	SIGNAL GENERATOR SET TO	ADJUST TRIMMER OR CORE	REMARKS
IF ALIGNMENT						
1.	Gang fully opened	.1 mf.	Osc-Mod grid *	455 Kc	1,2,3 & 4	Adjust for maximum
RF ALIGNMENT						
2.	1600 Kc **	-	Radiation loop ***	1600 Kc	5	This sets osc. to dial scale
3.	1400 Kc	-	Radiation loop ***	1400 Kc	6	Tune signal for max. with receiver tuning knob, then peak trimmer 6.

* A convenient point is the stator of the antenna section of the tuning capacitor.

** Close gang fully and set pointer to calibration mark at left hand side of dial background; then set pointer to 1600 Kc by turning tuning knob till pointer lines up with right hand calibration mark.

*** Connect output of signal generator to a 5" diameter, 3 turn loop and bring loop close enough to receiver loop to obtain output of 50 milliwatts (.40V) on output meter. Vary distance between loops to maintain this output during alignment. Minimum distance between loops should never be less than 12".

